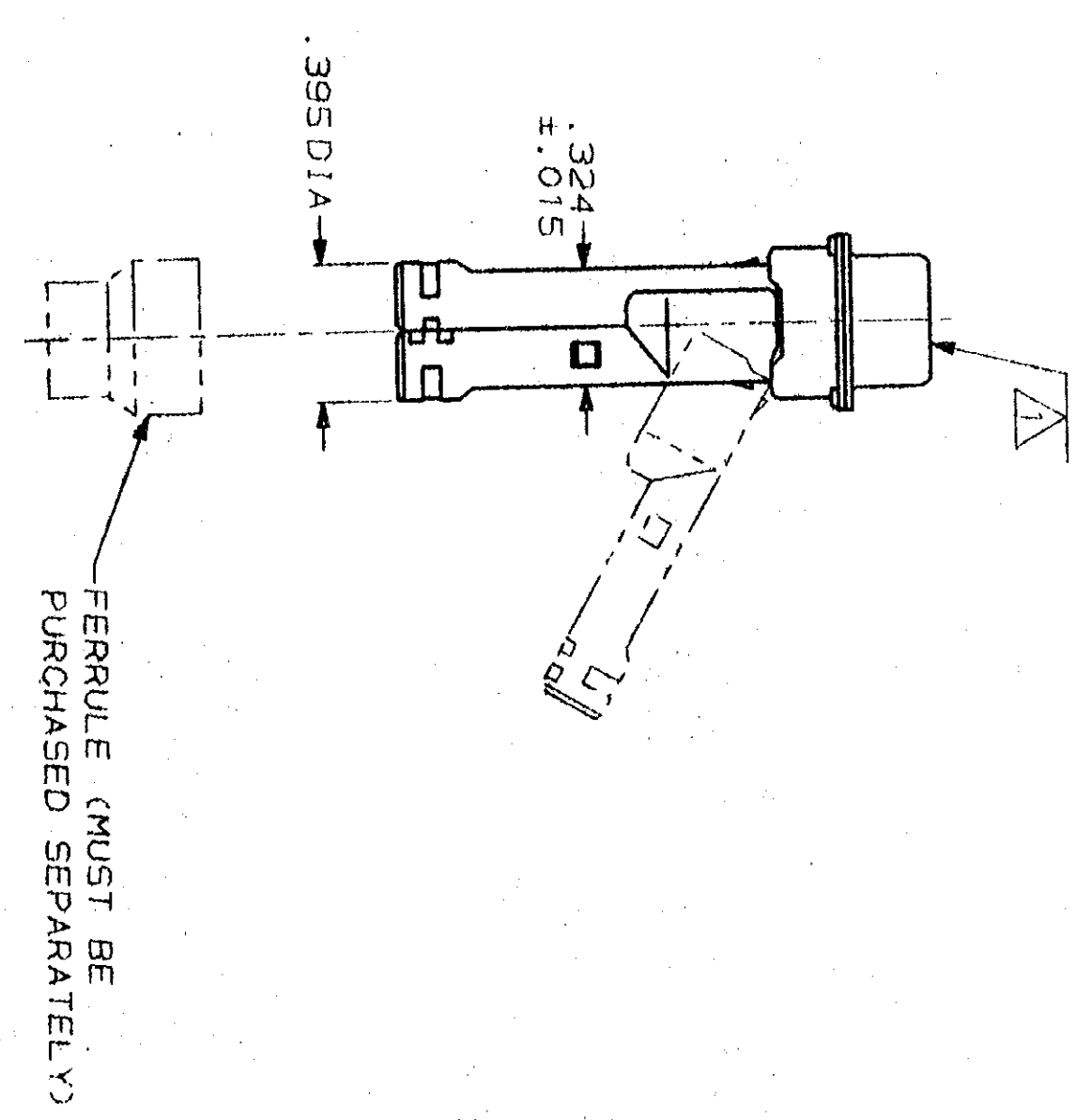
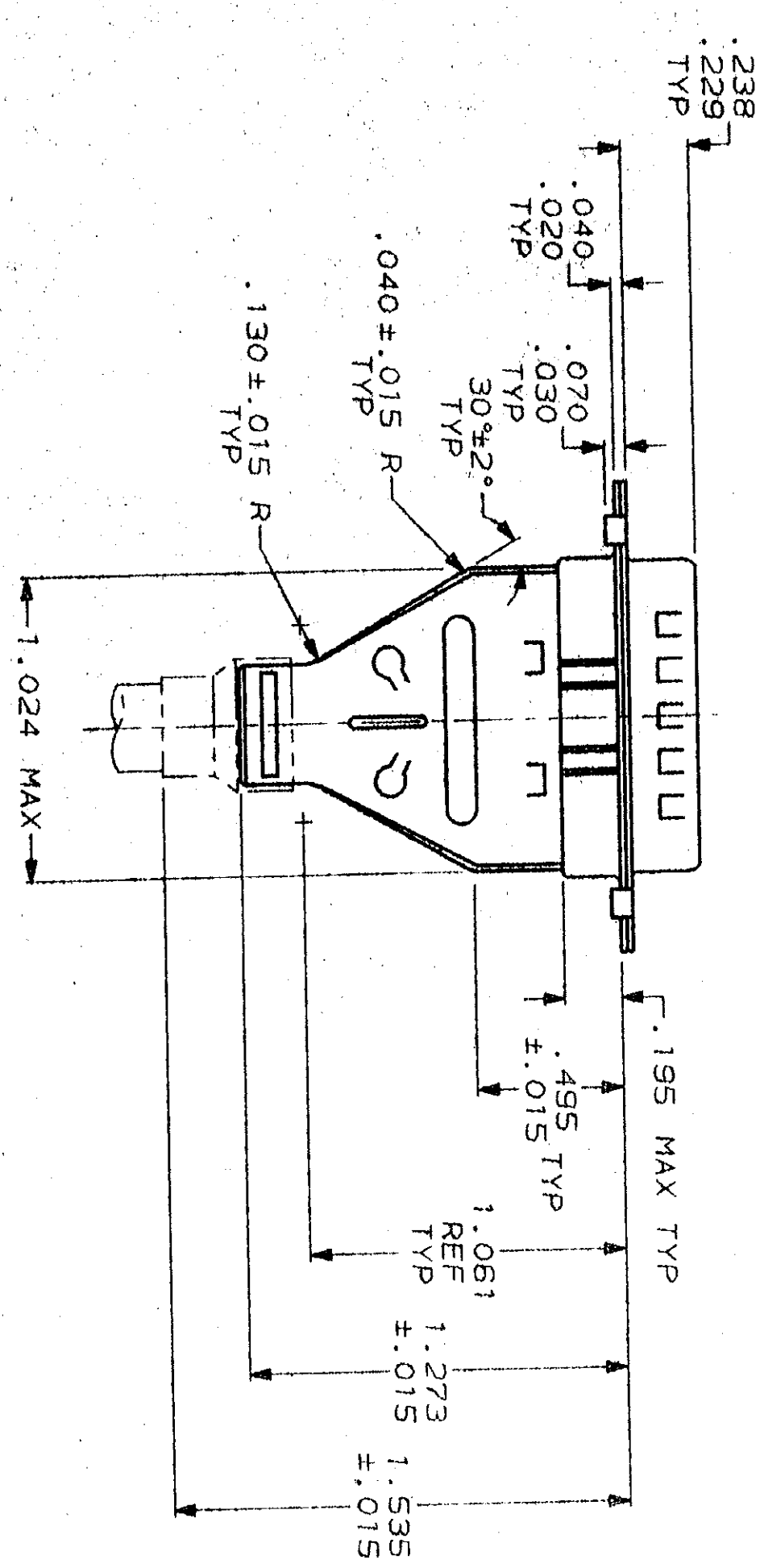
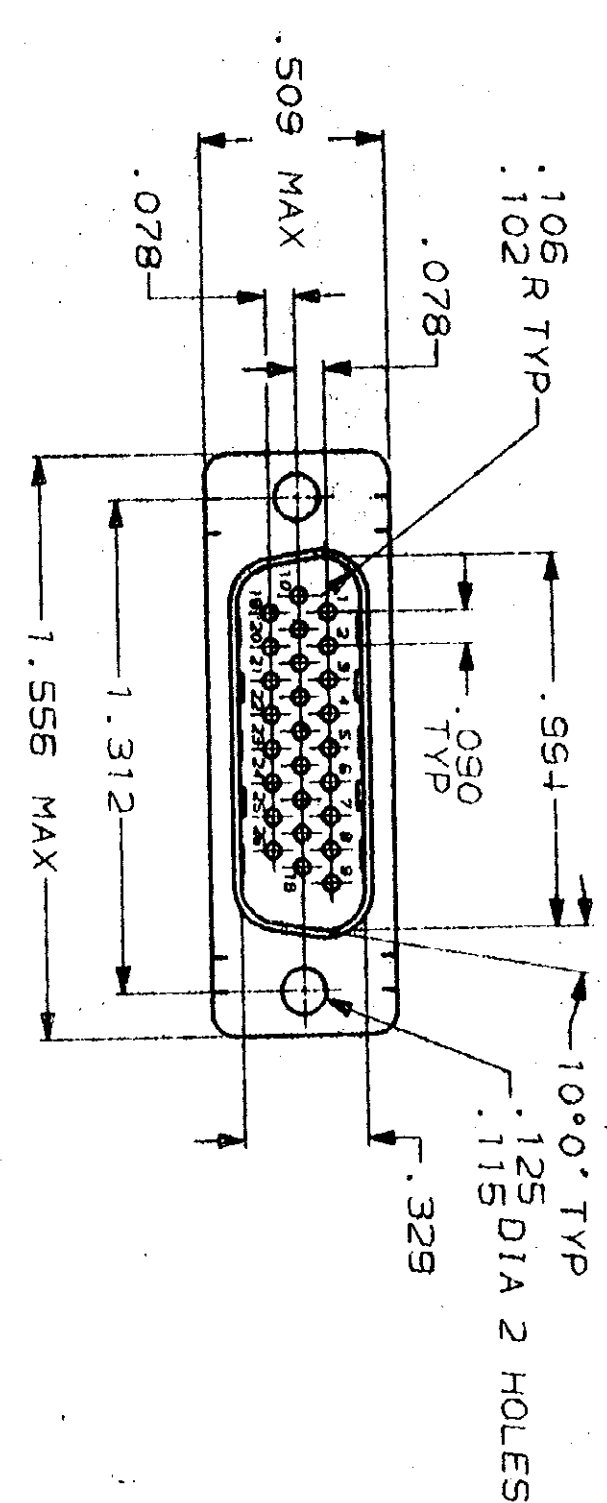


DRAWING MADE IN THIRD ANGLE PROJECTION
 THIS DRAWING IS UNPUBLISHED. RELEASED FOR PUBLICATION
 BY AMP INCORPORATED. ALL INFORMATIONAL RIGHTS RESERVED.
 © COPYRIGHT 18 .19



- 1. PLUG ACCEPTS SIZE 22 PIN CONTACTS (CONTACTS MUST BE ORDERED SEPARATELY).
- 2. ALL PARTS SHIPPED UNASSEMBLED, EACH PART INDIVIDUALLY BULK PACKED.
- 3. FLAME RETARDANT 94V-0 GLASS FILLED NYLON, BLACK.

REV	DATE	DESCRIPTION	BY	CHKD
2	BD	39	V	A

REV	DATE	DESCRIPTION
1	7-3-91	REDRAWN AND REV EGN B05049

DO NOT SCALE PRINT. DIMENSIONS SPECIFIED UNLESS SPECIFIED OTHERWISE IN INCHES. TOLERANCES ON: 1. DIMENSIONS: .005 2. PLG DEC: .005 3. PLG DEC: ± 0.30° ANGLES: ± 0.30°	DR 7-3-91 R. SHIREY 8-2-91	AMP INCORPORATED Mortgage, Pa. 17105
MATERIAL: HOUSING: 3 SHELLS: CS PER ASTM A109 SHIELDS: STEEL PER ASTM A109	APPD: R. Shirey 8-1-91	AMP
FINISH: SHELLS & SHIELDS: TIN PLATED PER MIL-T-10727	APPLICATION SPEC	AMP
SCALE: 2:1	SIZE: C FSCM NO: 00779	AMP
	DRAWING NO: 748469	AMP
	SHEET: 1 OF 1	AMP

748469-1
PART NUMBER

CUSTOMER DRAWING

94-14-05 WE BELIEVE IN THE QUALITY OF OUR PRODUCTS