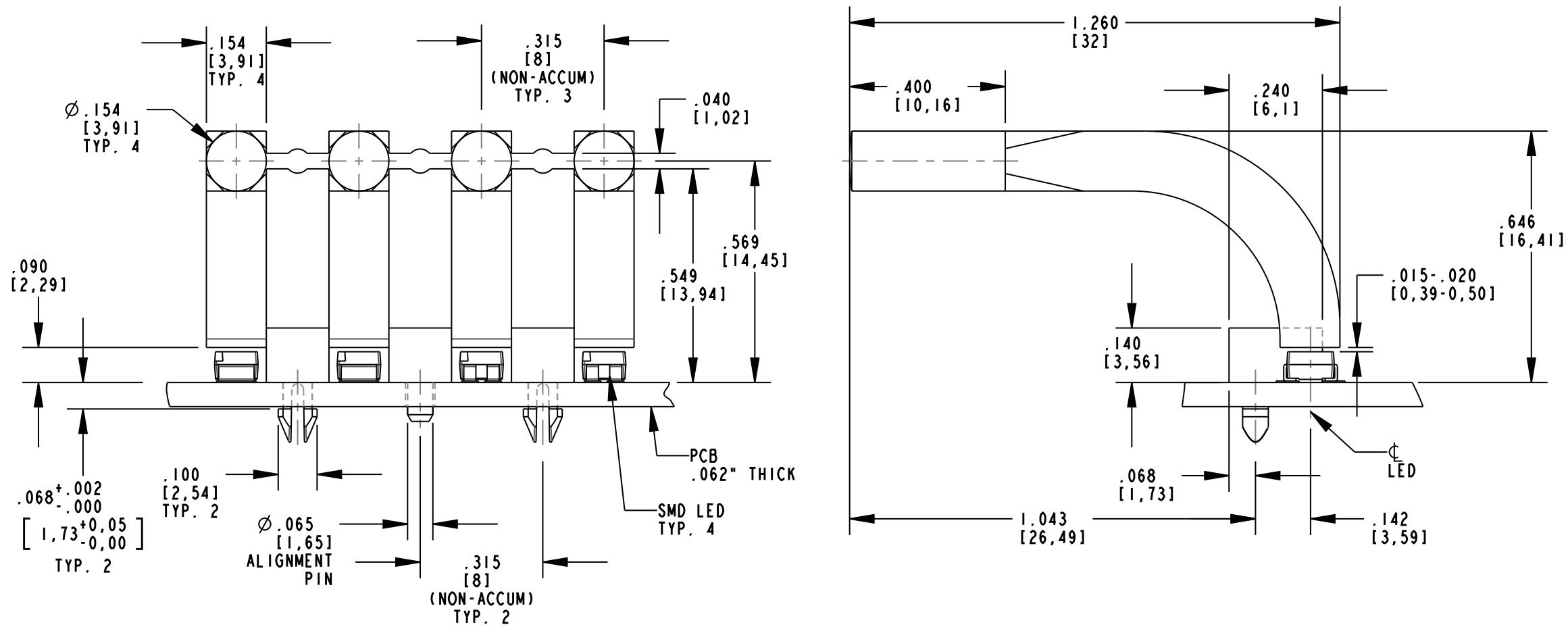


REV	ECN NO	REVISIONS	DRN	CKD	APP	DATE
A		NEW RELEASE	AJF	KLJ	NO	12-20-10

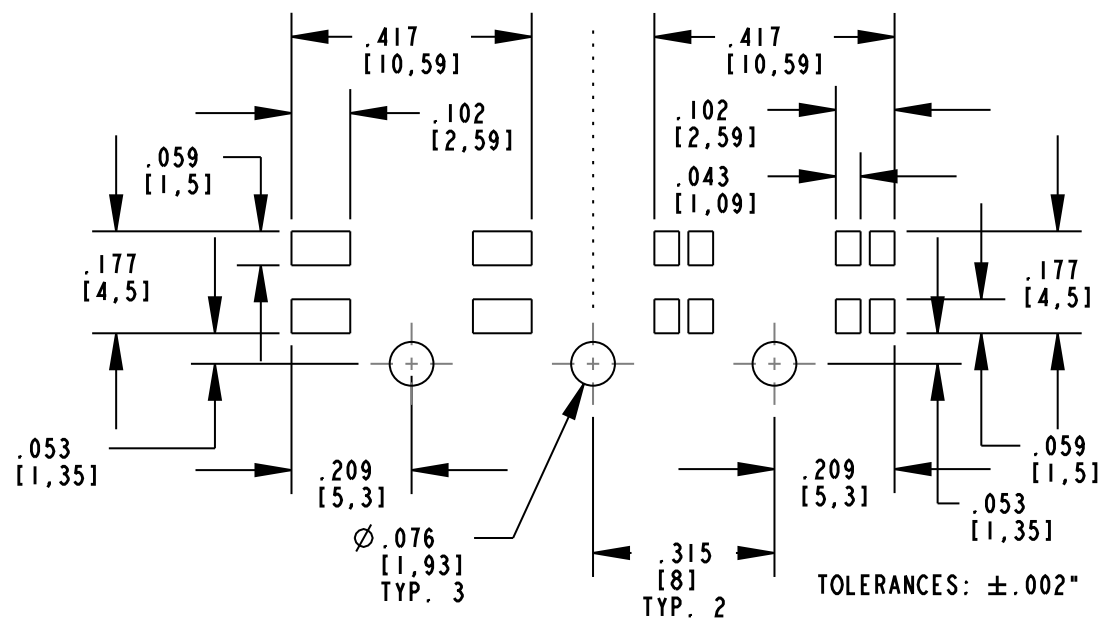
RoHS COMPLIANT 515-1052F

Part Numbers with the "F" suffix ending are RoHS Compliant.
Packaging is marked with "RoHS Compliant" label or equivalent markings.

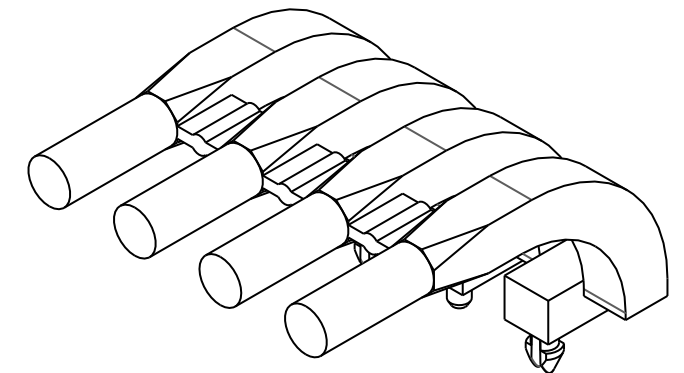


SINGLE COLOR LEDS

BI-COLOR LEDS



RECOMMENDED SOLDER PAD LAYOUT & HOLE PATTERN



SCALE 2.000

NOTES:

- DIALIGHT PART NUMBER: 515-1052F.
- PART DESIGNED TO BE SNAPPED IN .062" THICK PC BOARD.
- MATERIAL TO BE CLEAR, TRANSMISSIVE POLYCARBONATE (UL 94-V0 FLAMMABILITY).
- STORAGE AND OPERATING TEMPERATURE: -30 TO +100°C.
- RECOMMENDED SURFACE MOUNT LEDS DIALIGHT PART NUMBERS:
SINGLE COLOR: 597-3XXI-2XXF
BI-COLOR: 597-77XI-2XXF

THIS DRAWING AND THE CONTENTS HEREIN ARE CONFIDENTIAL AND THE SOLE PROPERTY OF DIALIGHT. REPRODUCTION OF THIS DRAWING OR CONSTRUCTION OF ANY PARTS WITHIN THIS DRAWING ARE FORBIDDEN WITHOUT THE WRITTEN CONSENT OF DIALIGHT.		
SCALE: 3.000 ALL DIM'S IN: INCHES (MM)	DRAWING NUMBER C-17891	REV A
TOLERANCES: UNLESS OTHERWISE SPECIFIED FRACTIONS: $\pm 1/64$ DECIMALS (.XX): $\pm .02$ DECIMALS (.XXX): $\pm .015$	TITLE 4 ELEMENT LIGHTPIPE	
ANGLES: $\pm 1^\circ$	MATERIAL SEE NOTES	
FINISH: -	Dialight 1501 ROUTE 34 SOUTH FARMINGDALE, NJ 07727	
FSCM 83330	SHEET 1 OF 1	FAMILY TABLE: