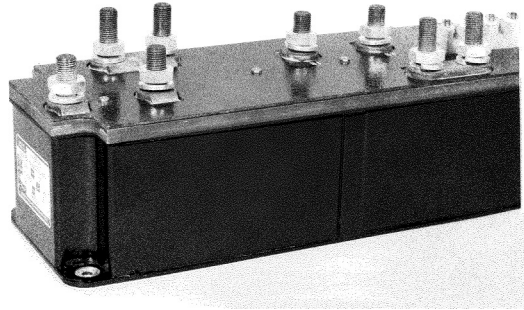


A-882 Series, Rated up to 600 Amps, 28/48 Vdc

Product Facts

- 2PDT, Double break
- Gasket sealed
- Auxiliary contacts available
- Meets many requirements of MIL-PRF-6106



Performance Data

Electrical Characteristics

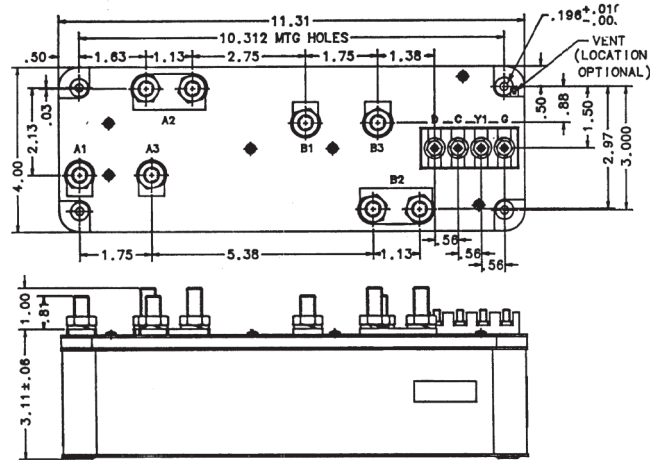
- Main Contacts —**
- Contact Arrangement —**
2PDT, Double Break
- Rated Operating Voltage —**
28/48 Vdc
- Resistive Rating —** 600 Amps
- Resistive for 30 sec —** 1,000 Amps
- Motor Rating —** 1,500 Amps, Inrush only
- Auxiliary Contacts —**
- Aux. Contact Arrangement —**
SPST NO
- Resistive Rating —** 5 Amps
- Inductive Rating —** 5 Amps

General Characteristics

- Temperature Range —**
-65°C to +160°C
- Operating Cycles (Life) at Rated Resistive Load, Min. —** 50,000 cycles
- Operating Cycles (Life) Mechanical, Min. —** 100,000 cycles
- Dielectric Strength —**
- All Circuits to Ground — 1,250 Vrms
- Circuit to Circuit — 1,250 Vrms
- Coil to Ground and Aux. Contacts — 1,000 Vrms
- Altitude, Max. —** 50,000 ft
- Weight —** 8.75 lbs

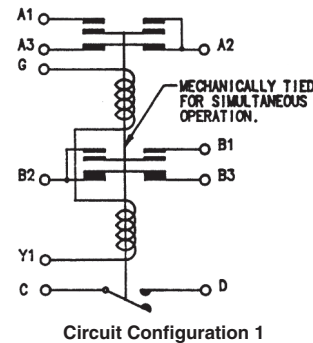
Coil Characteristics

- Duty Cycle —** Intermittent
- Operating Voltage, Max. —** 29 Vdc
- Operating Voltage, Min. —** 18 Vdc
- Pickup Voltage, Max., Hot —** 18 Vdc
- Dropout Voltage, Max., Hot —** 7 Vdc
- Coil Current, Max. @ 70°F —**
8 Amps
- Coil Current, Max. @ -65°F —**
9.6 Amps



Mounting Style A

Circuit Configurations (Consult factory for other available circuit configurations)



Circuit Configuration 1

For factory-direct application assistance, phone 419-521-9500 or fax 419-526-2749.

HARTMAN Part Number	Construction Type	Mounting Style	Coil Type	Circuit Config.	TE Part Number
A-882DL	Gasket/Vented	A	Intermittent	1	1616102-6