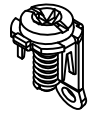
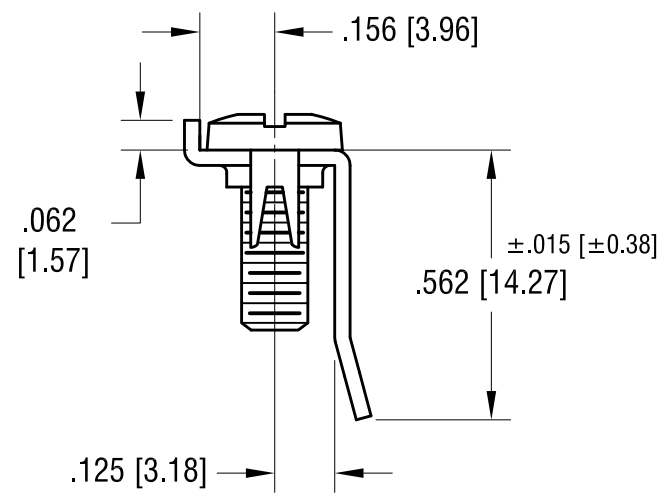
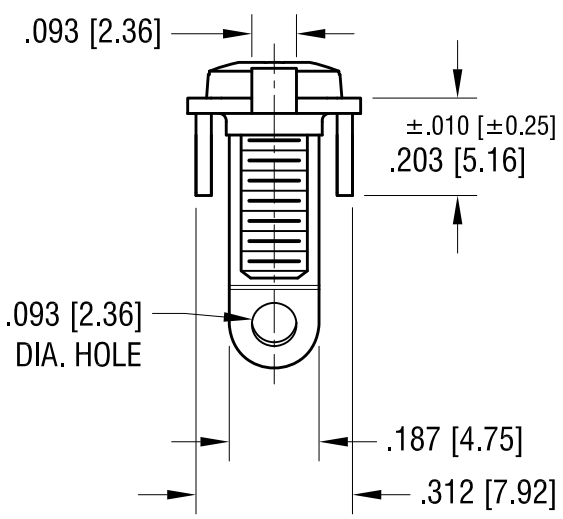
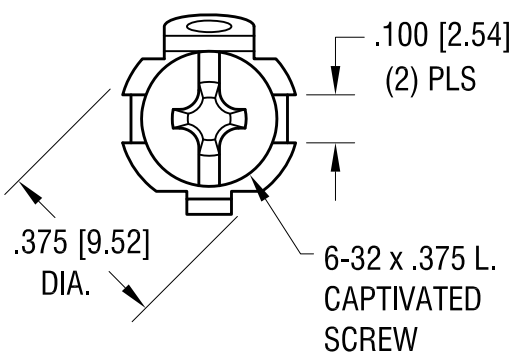
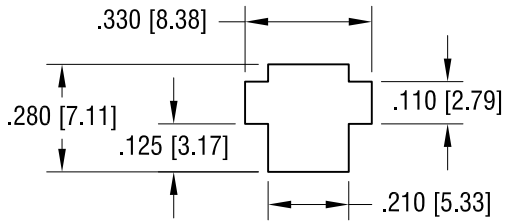


THIS DOCUMENT IS THE PROPERTY OF KEYSTONE ELECTRONICS CORP. AND SHALL NOT BE REPRODUCED, DISTRIBUTED OR USED AS A BASIS FOR MANUFACTURE WITHOUT PRIOR WRITTEN PERMISSION FROM KEYSTONE ELECTRONICS CORP.

**ACTUAL SIZE**



**MOUNTING DETAIL**



**NOTE:**  
 1. TERMINAL: MAT'L: .032 [0.81] TH'K STEEL  
 FINISH: BRIGHT TIN PLATE  
 SCREW: MAT'L: STEEL  
 FINISH: NICKEL PLATE

4.30.13	CHANGE AS PER ECN 13-037	H
1.25.13	CHANGE AS PER ECN 13-004	G
5.15.12	CHANGE AS PER ECN 12-061	F
12.17.10	CHANGE AS PER ECN 09-102	E
7.15.09	CHANGE AS PER ECN 09-102	D
1.21.09	CHANGE AS PER ECN 09-002 REPLACE SCREW	C
9.29.08	CHANGE AS PER ECN 08-166	B
2.22.02	ECN 02-016 TERMINAL FINISH WAS CADMIUM PLATE	A
DATE	DESCRIPTION	REV.

<b>KEYSTONE ELECTRONICS CORP.</b>			
www.keyelco.com • ASTORIA, N.Y. 11105-2017 • Tel (718) 956-8900			
PART NAME		SCREW TERMINAL, OFFSET LEG	
MATERIAL			
AS NOTED			
FINISH		DRN BY	DATE
AS NOTED		BOONE	12.27.99
		APP'D	SCALE
		LN	2.5X
TOLERANCES	INCH [MM]	CODE	DWG NO.
DECIMAL	± .005 [± 0.13]	C	<b>1248</b>
ANGULAR	± 1°		
UNLESS OTHERWISE SPECIFIED			