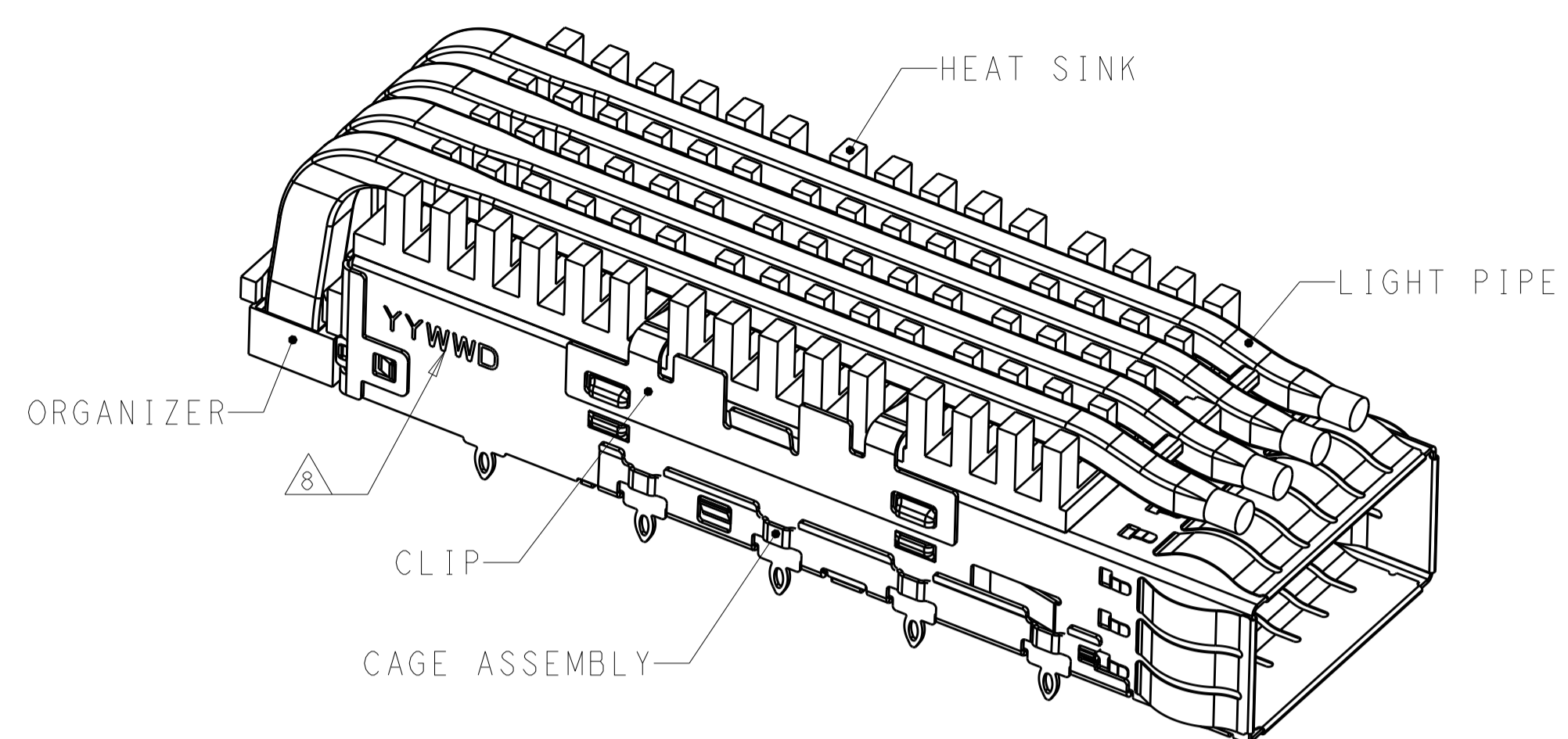
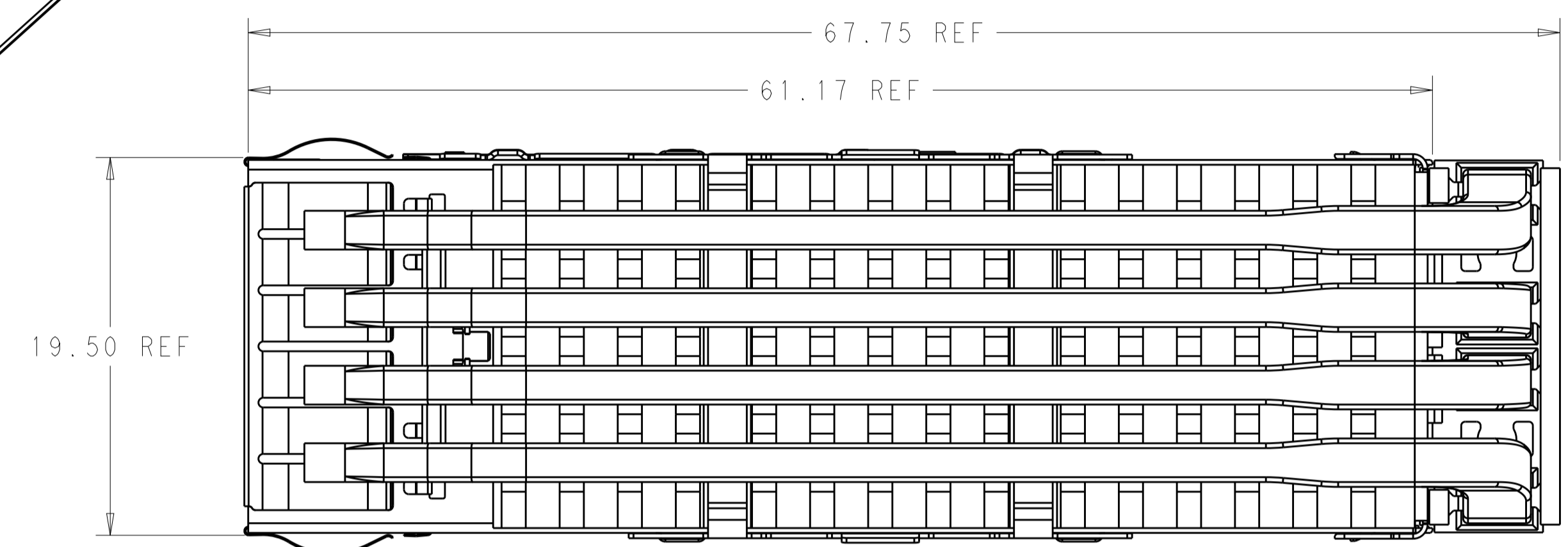


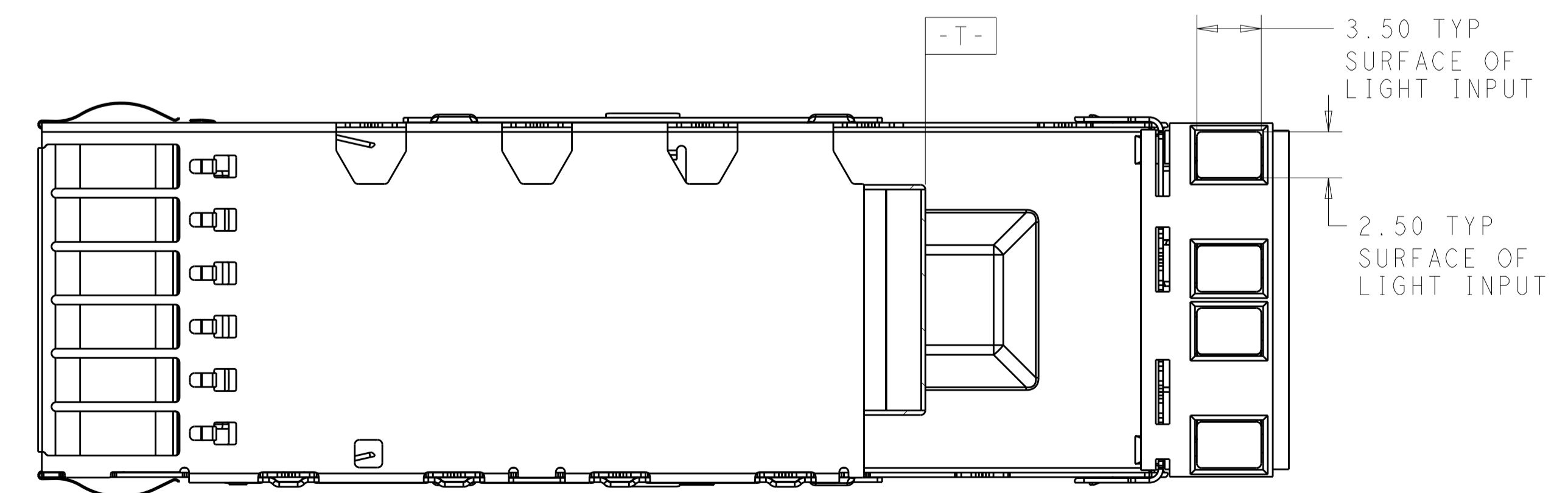
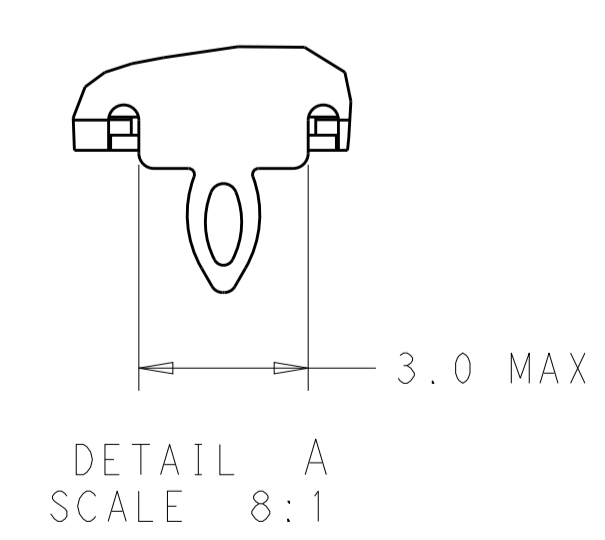
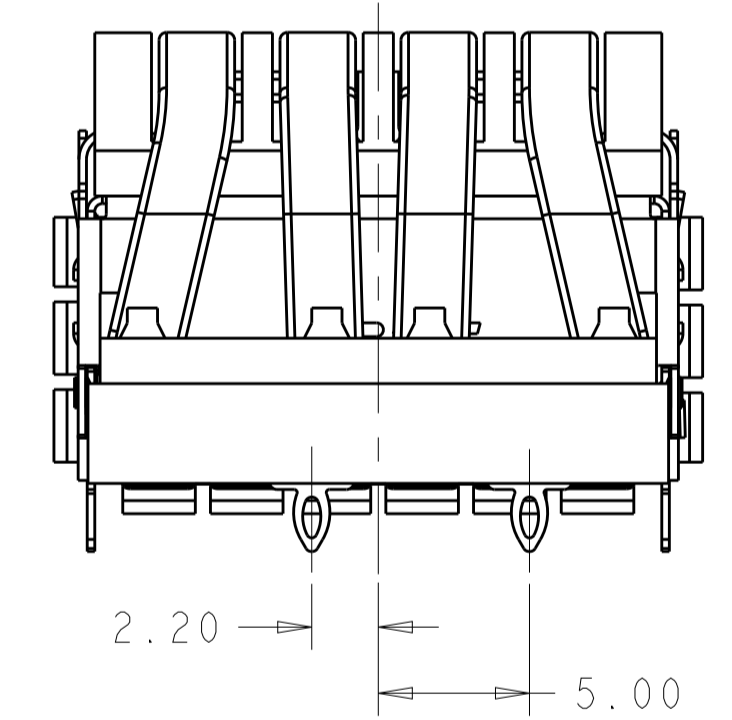
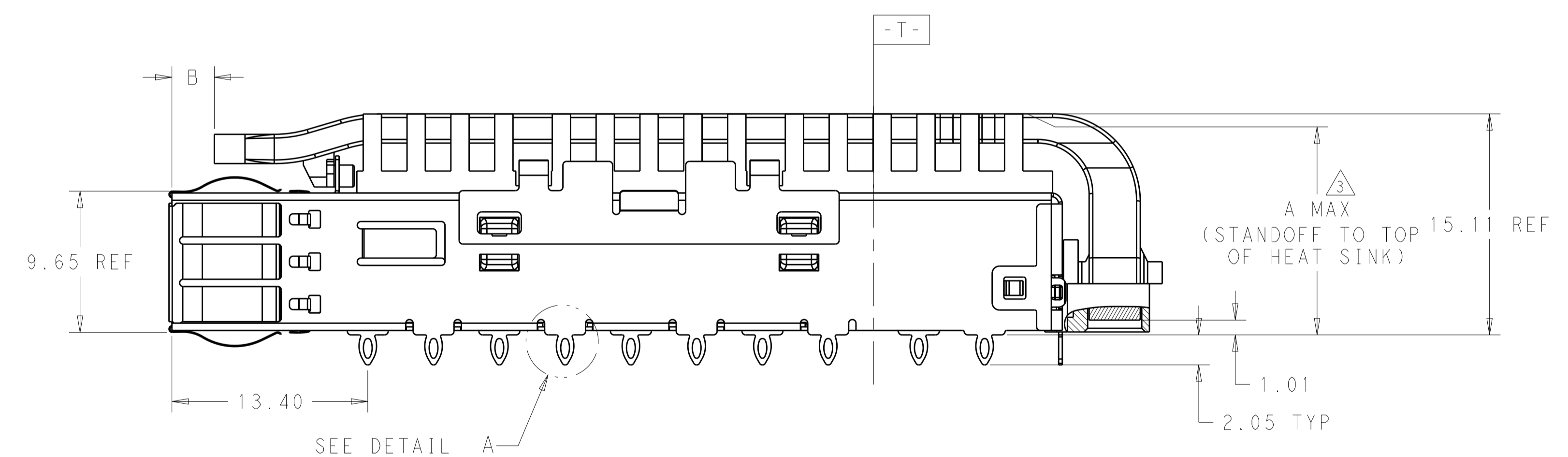
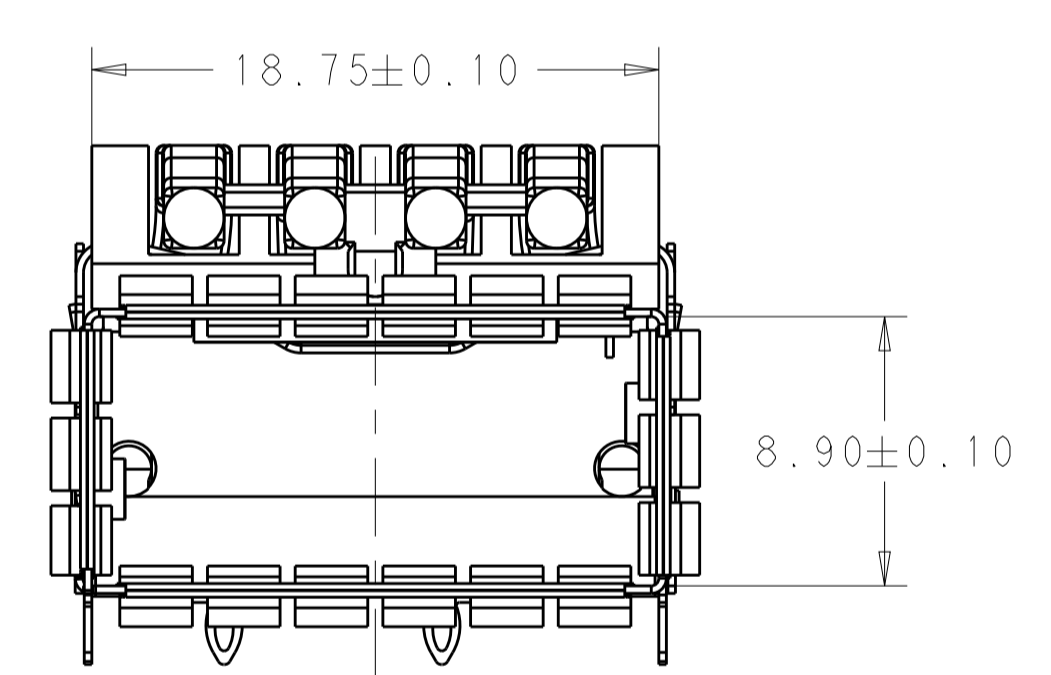
LOC		DIST		REVISIONS			
P	LTN	DESCRIPTION	DATE	DWN	APVD		
A		RELEASE	01NOV2016	JY	SH		



4-2170705-2 SHOWN
SCALE 3:1



- MATERIAL: CAGE MATERIAL : 0.25 THICK NICKEL SILVER.
 SPRING MATERIAL: COPPER ALLOY
 HEAT SINK MATERIAL: ALUMINUM
 CLIP MATERIAL: STAINLESS STEEL
 LIGHT PIPE MATERIAL: POLYCARBONATE
 ORGANIZER MATERIAL: POLYESTER
 - FINISH: SPRING: NICKEL PLATING
 HEAT SINK: BLACK ANODIZE
- ⚠ DIMENSION APPLIES WITH MODULE INSTALLED IN THE CAGE TO TOP OF HEAT SINK.
- ⚠ REFERENCE APPLICATION SPEC 114-32023 FOR RECOMMENDED DRILL HOLE DIAMETER AND PLATING THICKNESS.
- ⚠ DATUM AND BASIC DIMENSIONS ESTABLISHED BY CUSTOMERS.
6. MINIMUM PC BOARD THICKNESS : SINGLES SIDED: 1.57 MIN
 DOUBLE SIDED: 2.20 MIN
- ⚠ DATUM [-A-] IS TOP SURFACE OF THE HOST BOARD.
- ⚠ DATE CODE (YYWWD) MARKED APPROXIMATELY AS SHOWN
- ⚠ THESE HOLES ARE OPTIONAL WHEN THE REAR PINS ARE REMOVED.
10. MATES WITH QSFP28 MSA COMPATIBLE TRANSCEIVER.
- ⚠ PRELIMINARY PART - NOT RELEASE TO PRODUCTION.

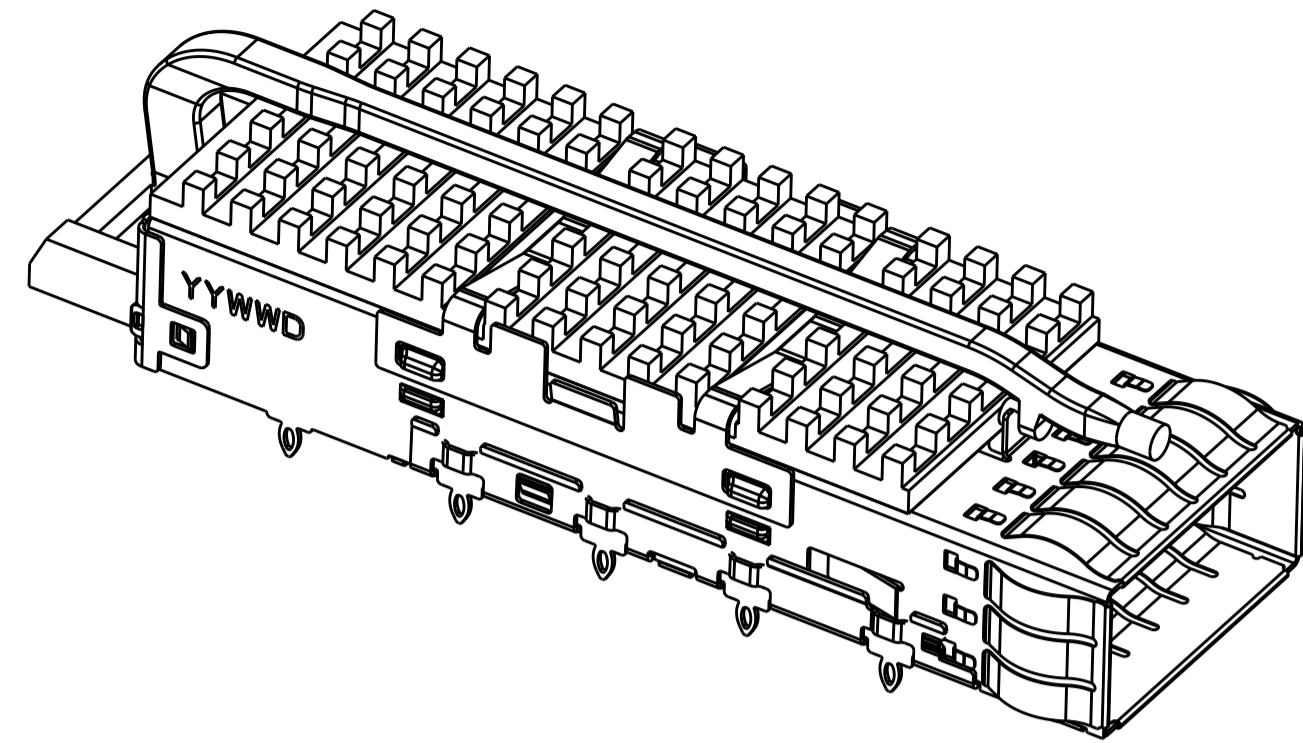


4-2170705-2 AS SHOWN

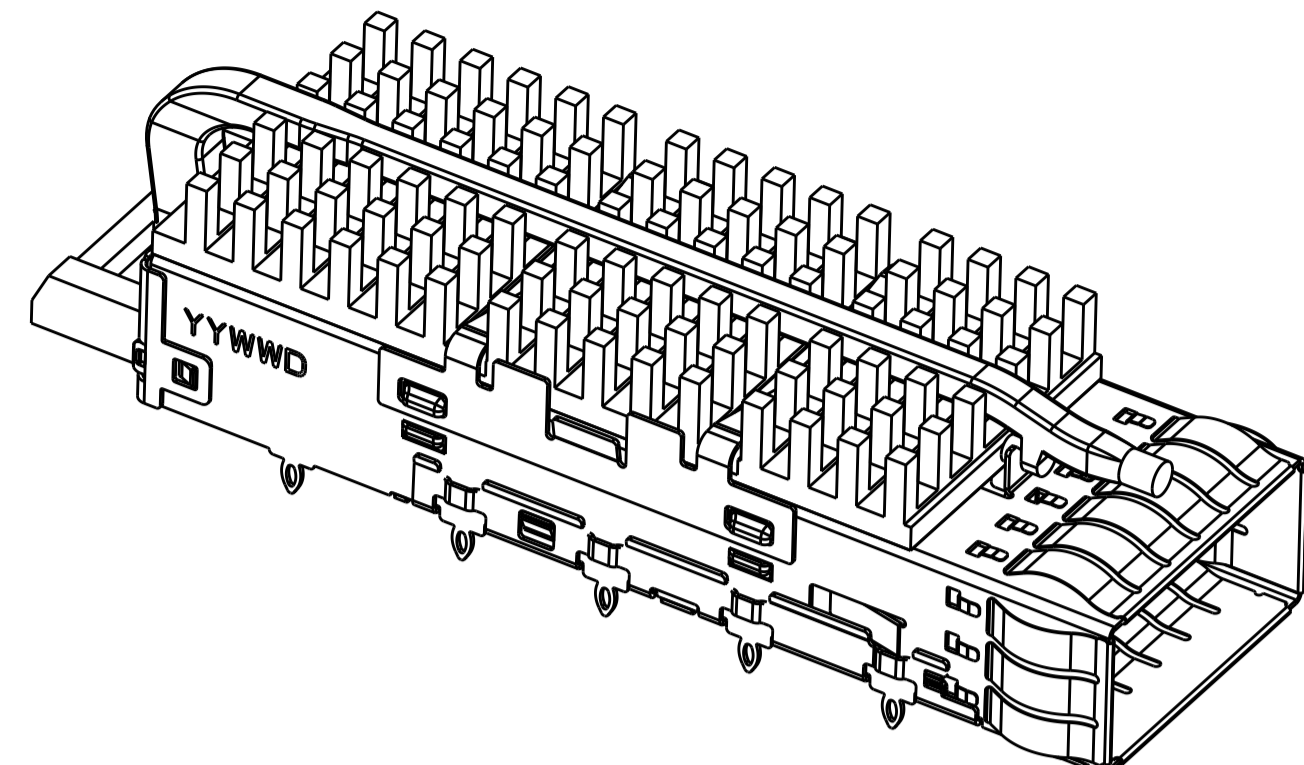
THIS DRAWING IS A CONTROLLED DOCUMENT.		DWN: JASON YANG 07MAR2014	TE Connectivity
DIMENSIONS: mm		CHK: SEAN HAN 26JAN2016	
TOLERANCES UNLESS OTHERWISE SPECIFIED:		APVD: 07MAR2014	NAME: CAGE ASSEMBLY, QSFP28, THRU BEZEL WITH EMI SPRING FINGER HEAT SINK, LIGHT PIPE
0 PLC	±0.25	PRODUCT SPEC: 108-19428	SIZE: CAGE CODE DRAWING NO: A100779C=2170705
1 PLC	±0.25	APPLICATION SPEC: 114-32023	RESTRICTED TO: -
2 PLC	±0.25	WEIGHT: -	SCALE: 2:1 SHEET 1 OF 7 REV A
3 PLC	±0.25	CUSTOMER DRAWING	
4 PLC	±0.100		
ANGLES	±°		
FINISH	-		

LOC		DIST		REVISIONS			
P	LYR	DESCRIPTION	DATE	OWN	APVD		
-	-	SEE SHEET 1	-	-	-		

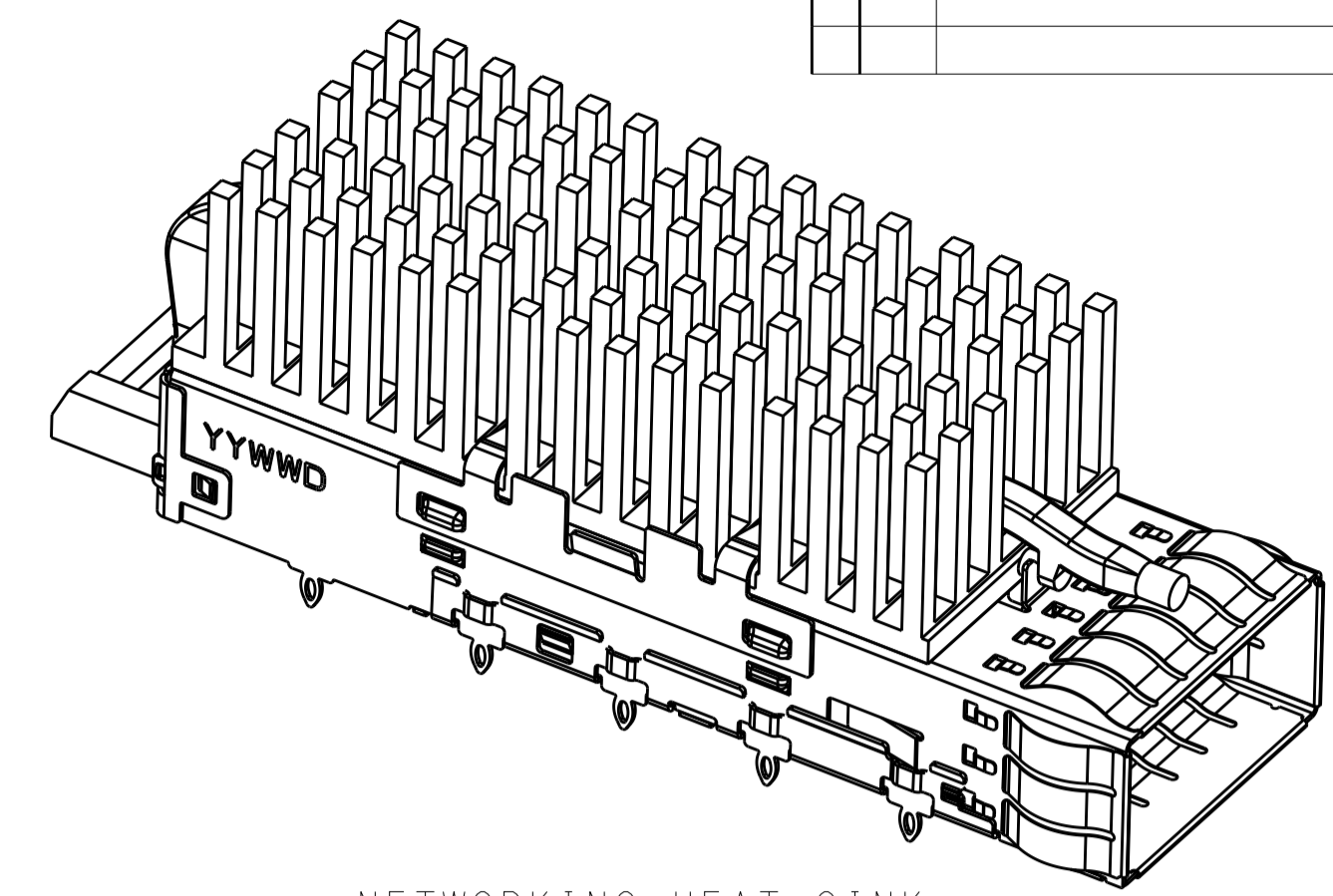
HEAT SINK OPTIONS



PCI HEAT SINK
SCALE 5:2

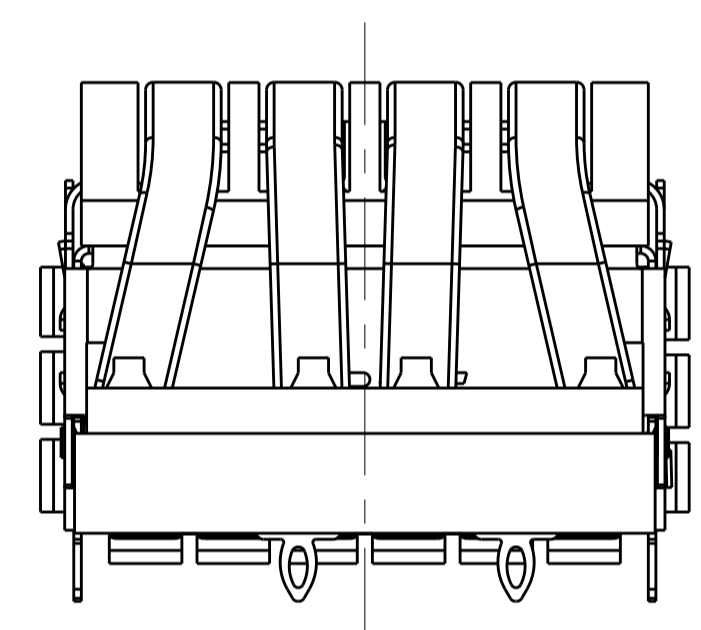


SAN HEAT SINK
SCALE 5:2

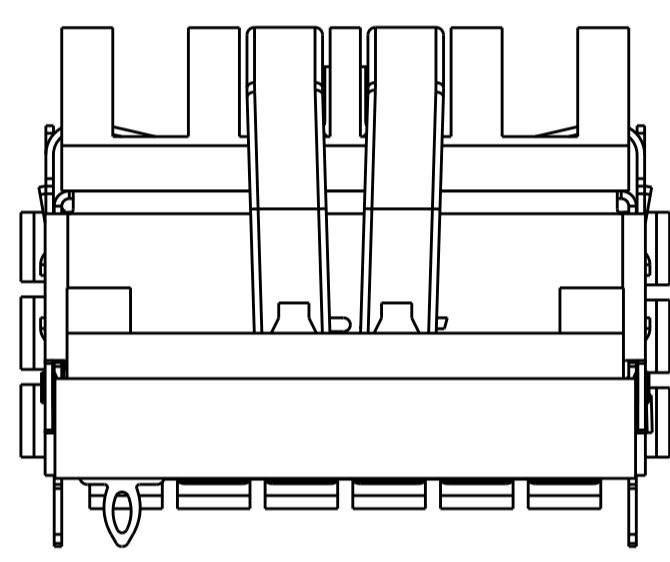


NETWORKING HEAT SINK
SCALE 5:2

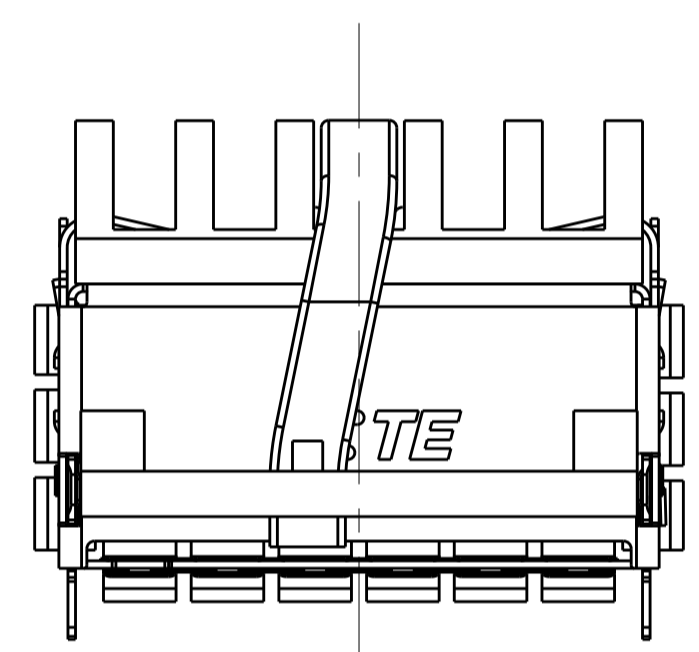
OF REAR LEGS OPTIONS



2 REAR LEGS
SCALE 4:1

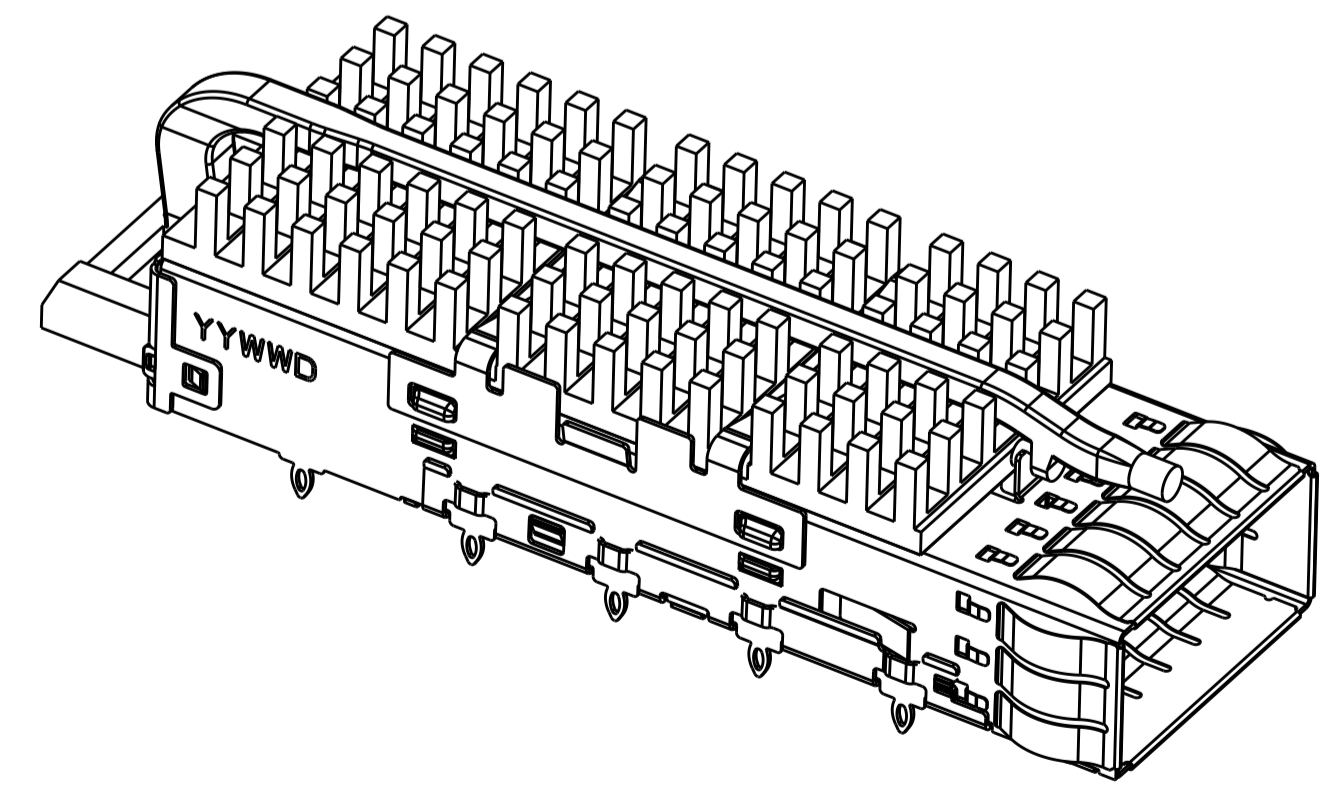


1 REAR LEG
SCALE 4:1

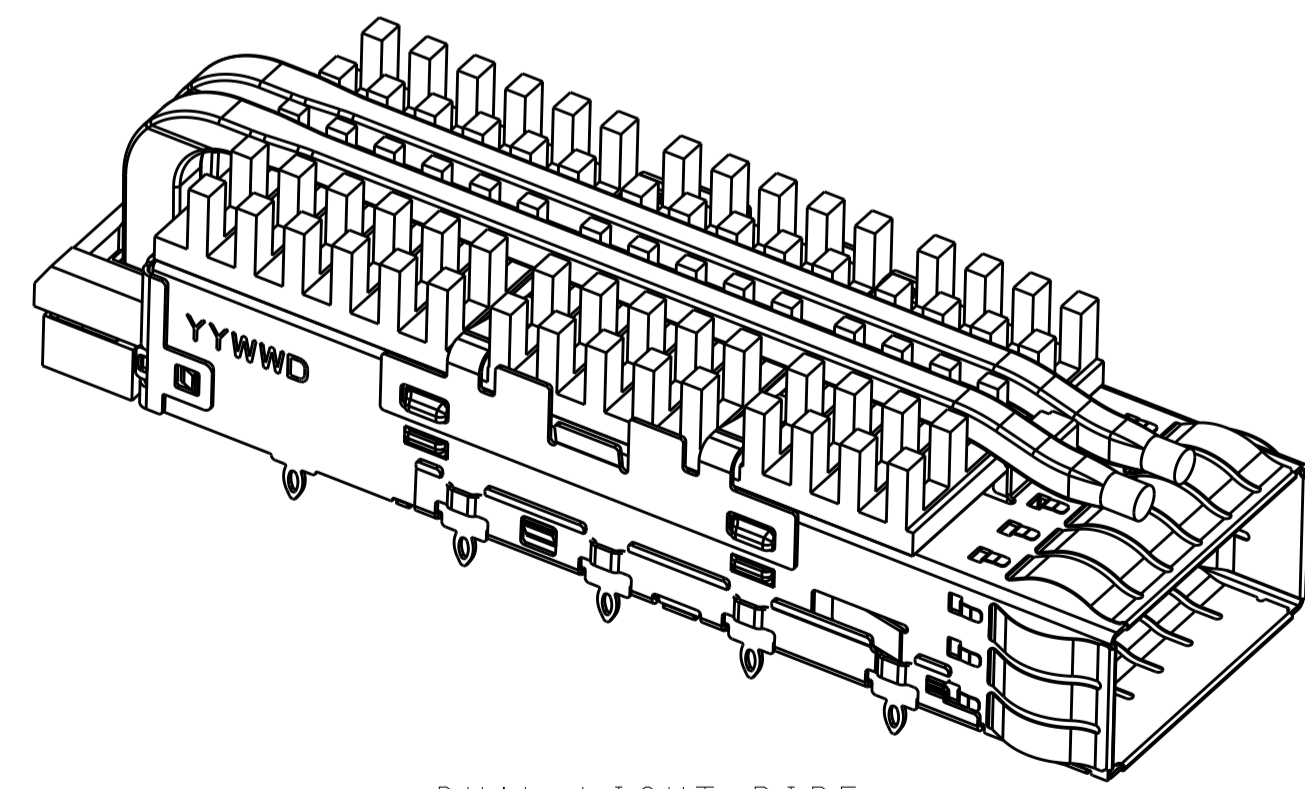


0 REAR LEG
SCALE 4:1

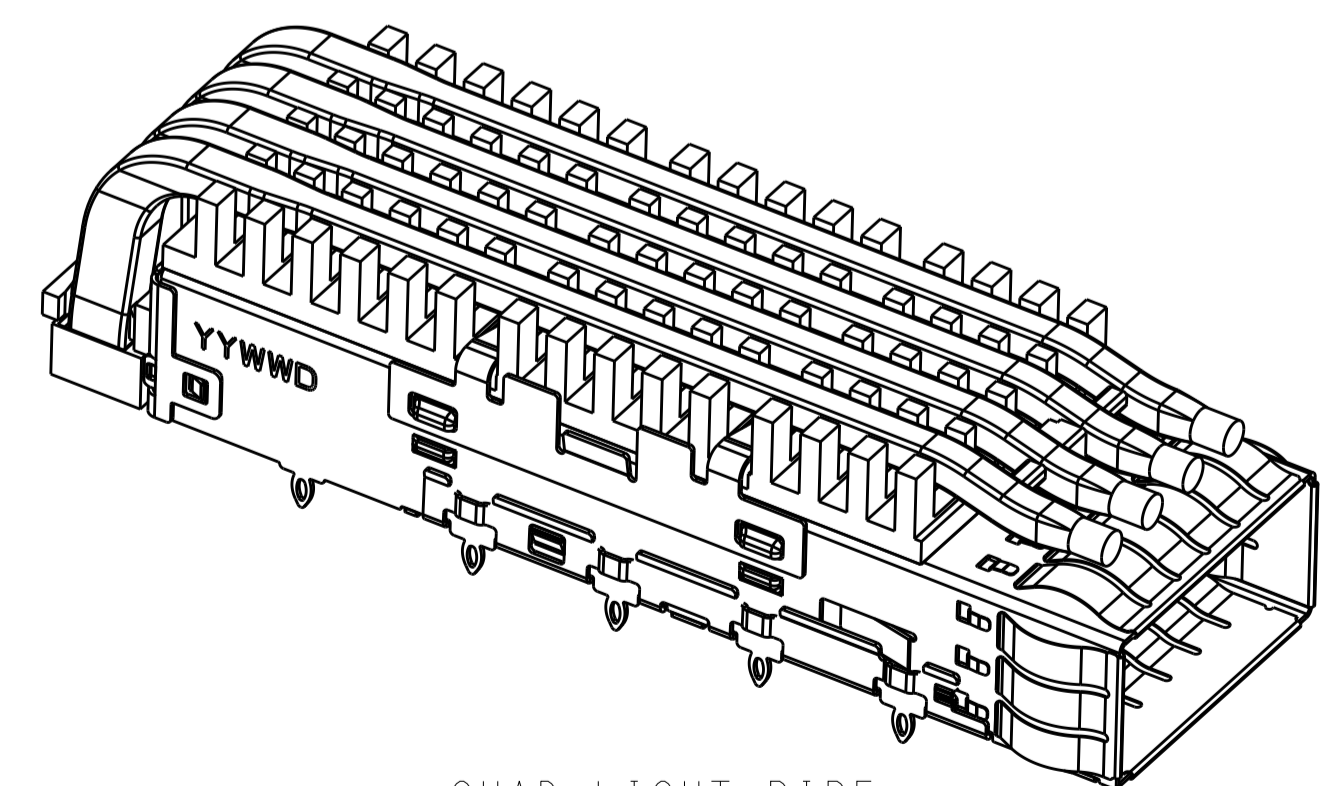
LIGHT PIPE OPTIONS



SINGLE LIGHT PIPE
WITHOUT ORGANIZER
SCALE 5:2



DUAL LIGHT PIPE
SCALE 5:2

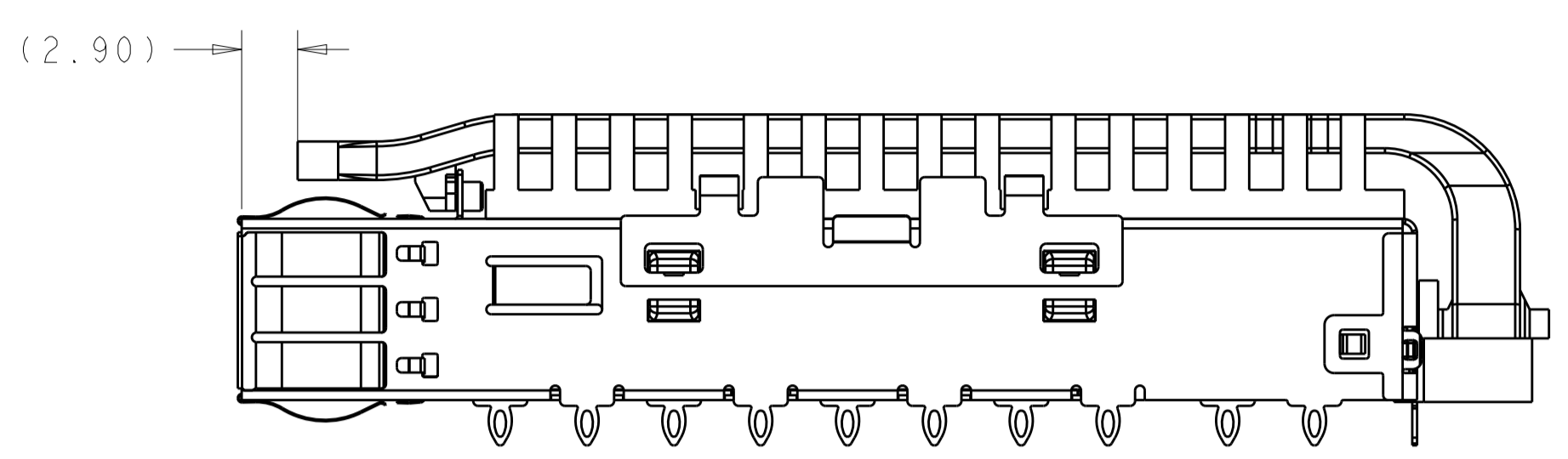


QUAD LIGHT PIPE
SCALE 5:2

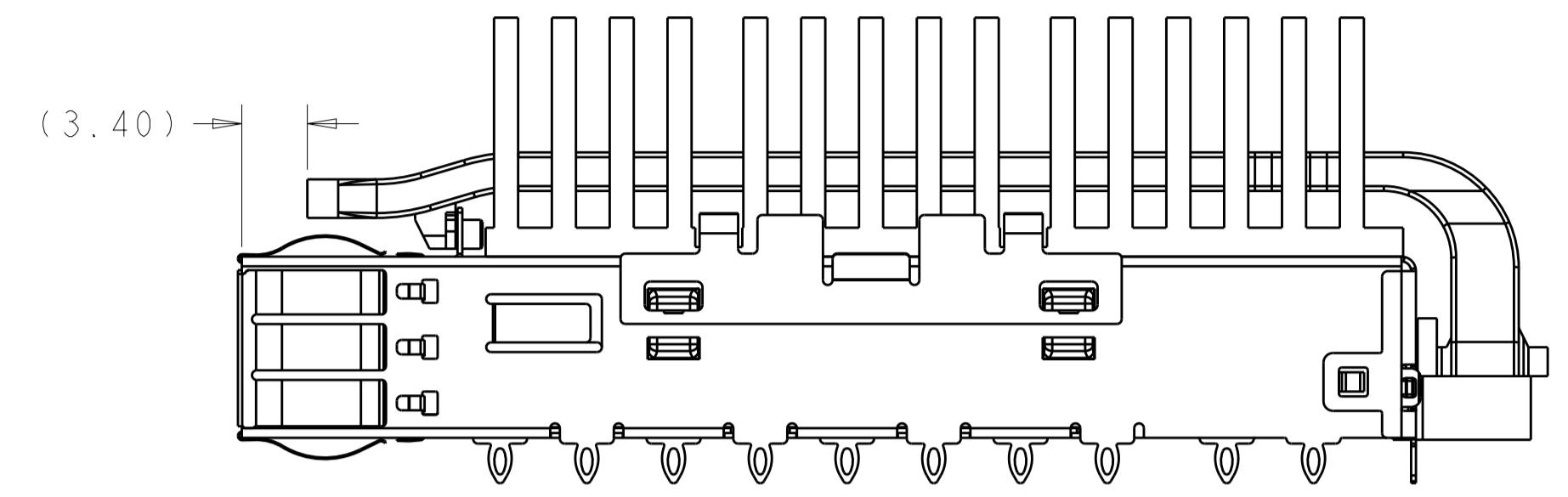
THIS DRAWING IS A CONTROLLED DOCUMENT.		OWN: JASON YANG 07MAR2014	TE Connectivity
		CHK: SEAN HAN 26JAN2016	
DIMENSIONS:		APVD: 07MAR2014	NAME: CAGE ASSEMBLY, OSFP28, THRU BEZEL WITH EMI SPRING FINGER HEAT SINK, LIGHT PIPE PRODUCT SPEC: 108-19428 APPLICATION SPEC: 114-32023
TOLERANCES UNLESS OTHERWISE SPECIFIED: mm: 0 PLC ±0.25 1 PLC ±0.25 2 PLC ±0.25 3 PLC ±0.25 4 PLC ±0.100 ANGLES ±°		SIZE: A100779 CAGE CODE: C=2170705 DRAWING NO: 114-32023	
MATERIAL: -		WEIGHT: -	RESTRICTED TO: -
FINISH: -		CUSTOMER DRAWING	SCALE: 2:1 SHEET 2 OF 7 REV A

LOC	DIST	REVISIONS			
P	LTN	DESCRIPTION	DATE	DWN	APVD
-	-	SEE SHEET 1	-	-	-

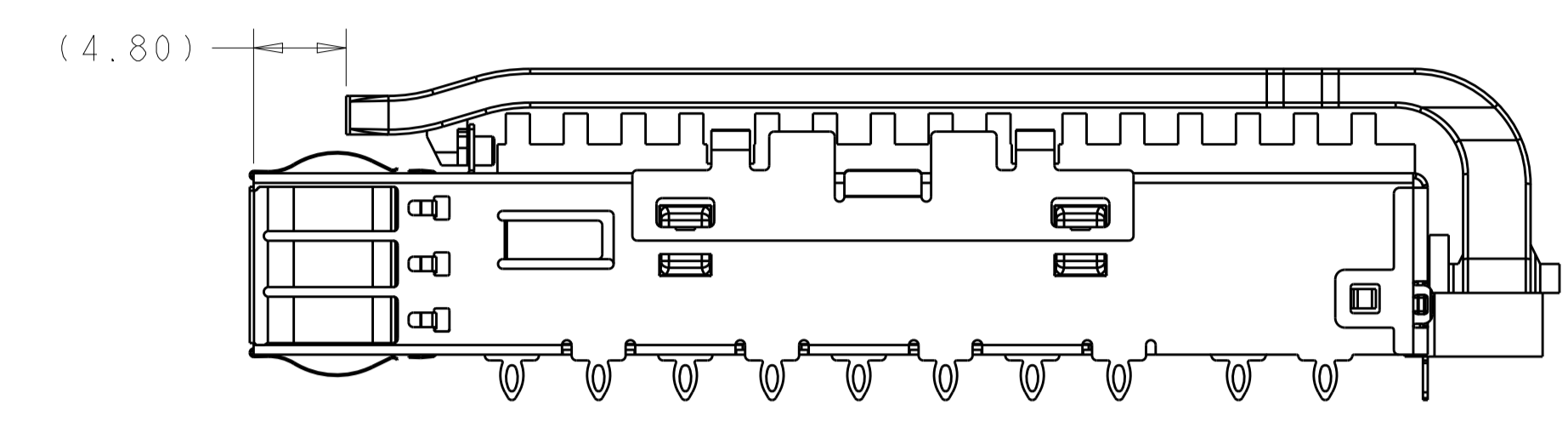
LIGHT PIPE LENGTH OPTIONS



WITH LIGHT PIPE LENGHT B=2.9
SCALE 3:1



WITH LIGHT PIPE LENGHT B=3.4
SCALE 3:1



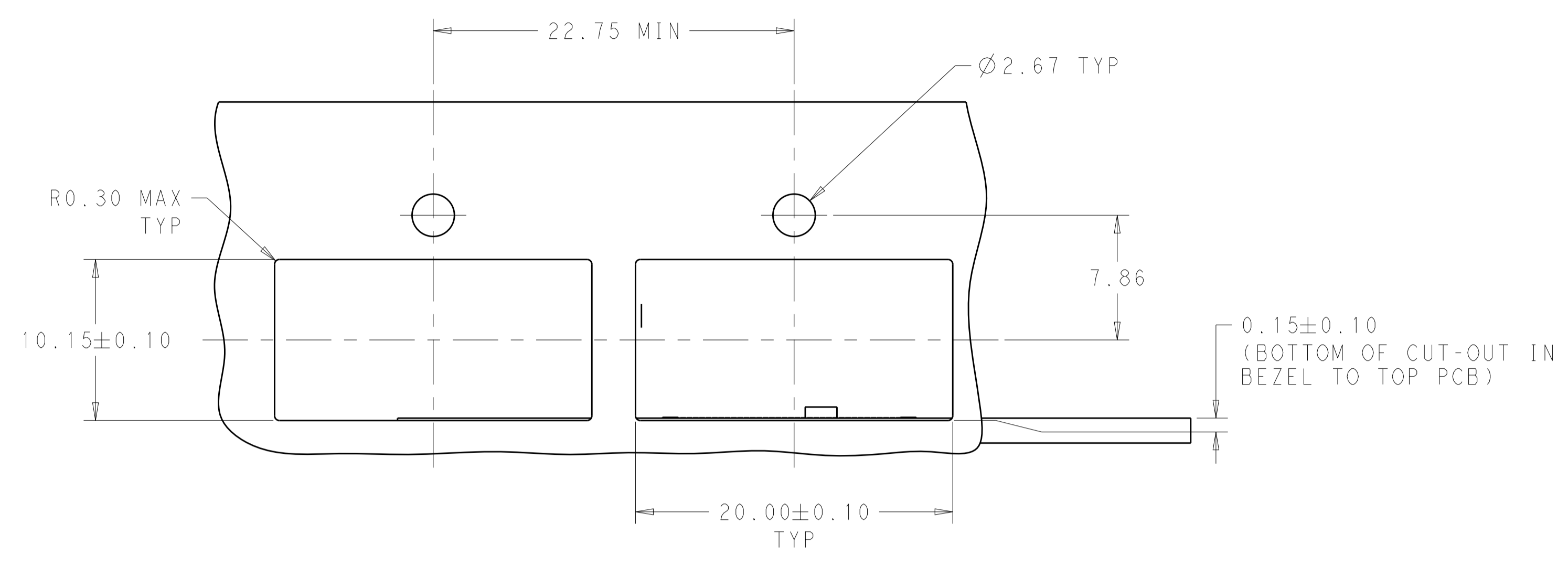
WITH LIGHT PIPE LENGHT B=4.8
SCALE 3:1

BOM

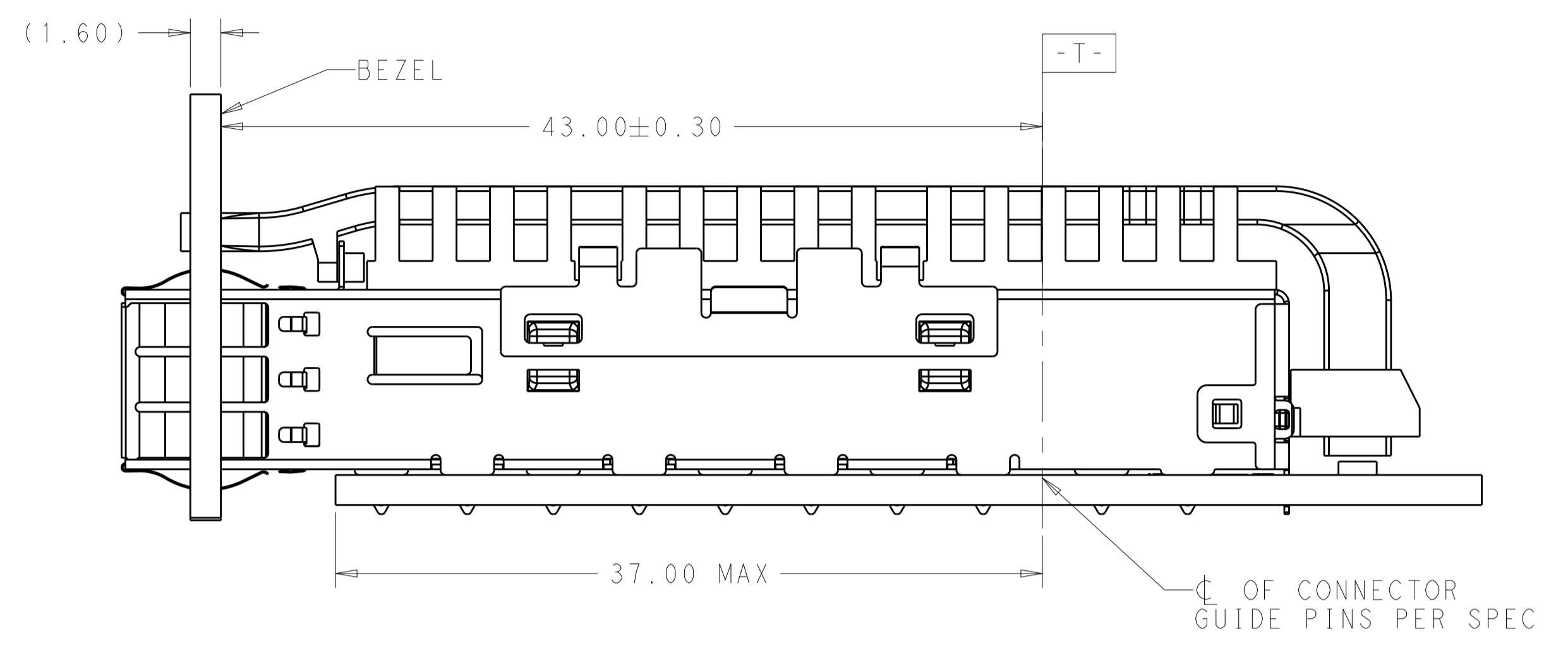
4.8	2	13.7	PCI	QUAD LP	6-2170705-1	⚠
3.4	1	23.0	NETWORKING	QUAD LP	5-2170705-9	
2.9	1	16.0	SAN	COATED QUAD LP	5-2170705-8	
	1	13.7	PCI	COATED QUAD LP	5-2170705-7	
	0	31.6	CUSTOMIZED	QUAD LP	5-2170705-1	
	1	23.0	NETWORKING	QUAD LP	4-2170705-9	
	1	16.0	SAN	QUAD LP	4-2170705-8	
	1	13.7	PCI	QUAD LP	4-2170705-7	
	0	23.0	NETWORKING	QUAD LP	4-2170705-6	
	0	16.0	SAN	QUAD LP	4-2170705-5	
	0	13.7	PCI	QUAD LP	4-2170705-4	
	2	23.0	NETWORKING	QUAD LP	4-2170705-3	
	2	16.0	SAN	QUAD LP	4-2170705-2	
	2	13.7	PCI	QUAD LP	4-2170705-1	
	1	23.0	NETWORKING	DUAL LP	2-2170705-9	
	1	16.0	SAN	DUAL LP	2-2170705-8	
	1	13.7	PCI	DUAL LP	2-2170705-7	
	0	23.0	NETWORKING	DUAL LP	2-2170705-6	
	0	16.0	SAN	DUAL LP	2-2170705-5	
	0	13.7	PCI	DUAL LP	2-2170705-4	
	2	23.0	NETWORKING	DUAL LP	2-2170705-3	
	2	16.0	SAN	DUAL LP	2-2170705-2	
2	13.7	PCI	DUAL LP	2-2170705-1		
1	23.0	NETWORKING	SINGLE LP	2170705-9		
1	16.0	SAN	SINGLE LP	2170705-8		
1	13.7	PCI	SINGLE LP	2170705-7		
0	23.0	NETWORKING	SINGLE LP	2170705-6		
0	16.0	SAN	SINGLE LP	2170705-5		
0	13.7	PCI	SINGLE LP	2170705-4		
2	23.0	NETWORKING	SINGLE LP	2170705-3		
2	16.0	SAN	SINGLE LP	2170705-2		
2	13.7	PCI	SINGLE LP	2170705-1		
DIM B	# REAR PINS	DIM A	APPLICATION (HEAT SINK OPTION)	LIGHT PIPE OPTION	PART NUMBER	

THIS DRAWING IS A CONTROLLED DOCUMENT.		DWN: JASON YANG 07MAR2014	 TE Connectivity
DIMENSIONS: mm		CHK: SEAN HAN 26JAN2016	
TOLERANCES UNLESS OTHERWISE SPECIFIED:		APVD: 07MAR2014	NAME: CAGE ASSEMBLY, OSFP28, THRU BEZEL WITH EMI SPRING FINGER HEAT SINK, LIGHT PIPE
0 PLC ±0.25 1 PLC ±0.25 2 PLC ±0.25 3 PLC ±0.25 4 PLC ±0.100 ANGLES ±°		PRODUCT SPEC: 108-19428	SIZE: A1
MATERIAL: -		APPLICATION SPEC: 114-32023	CAGE CODE: 00779
FINISH: -		WEIGHT: -	DRAWING NO: C=2170705
CUSTOMER DRAWING		SCALE: 2:1	SHEET 3 OF 7 REV A

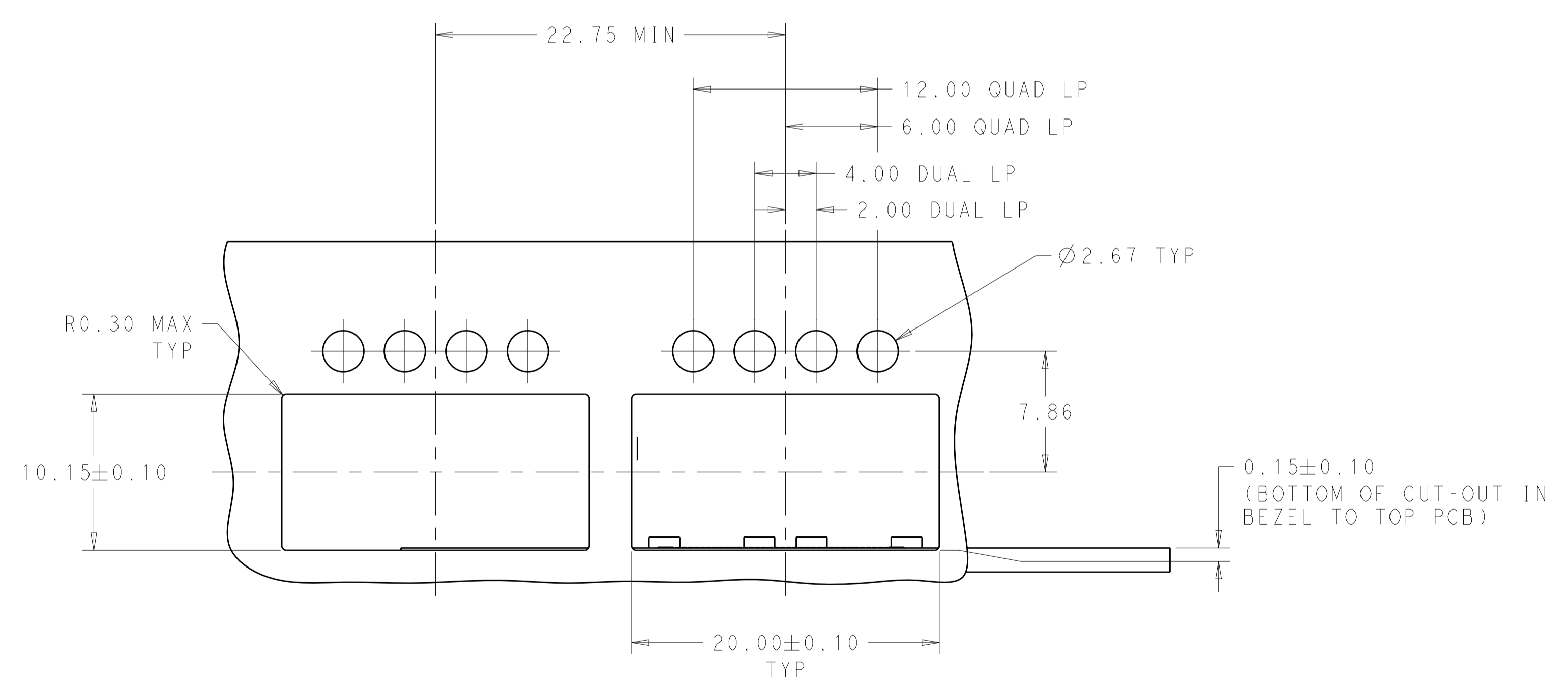
LOC	DIST	REVISIONS			
P	LTN	DESCRIPTION	DATE	DMN	APVD
-	-	SEE SHEET 1	-	-	-



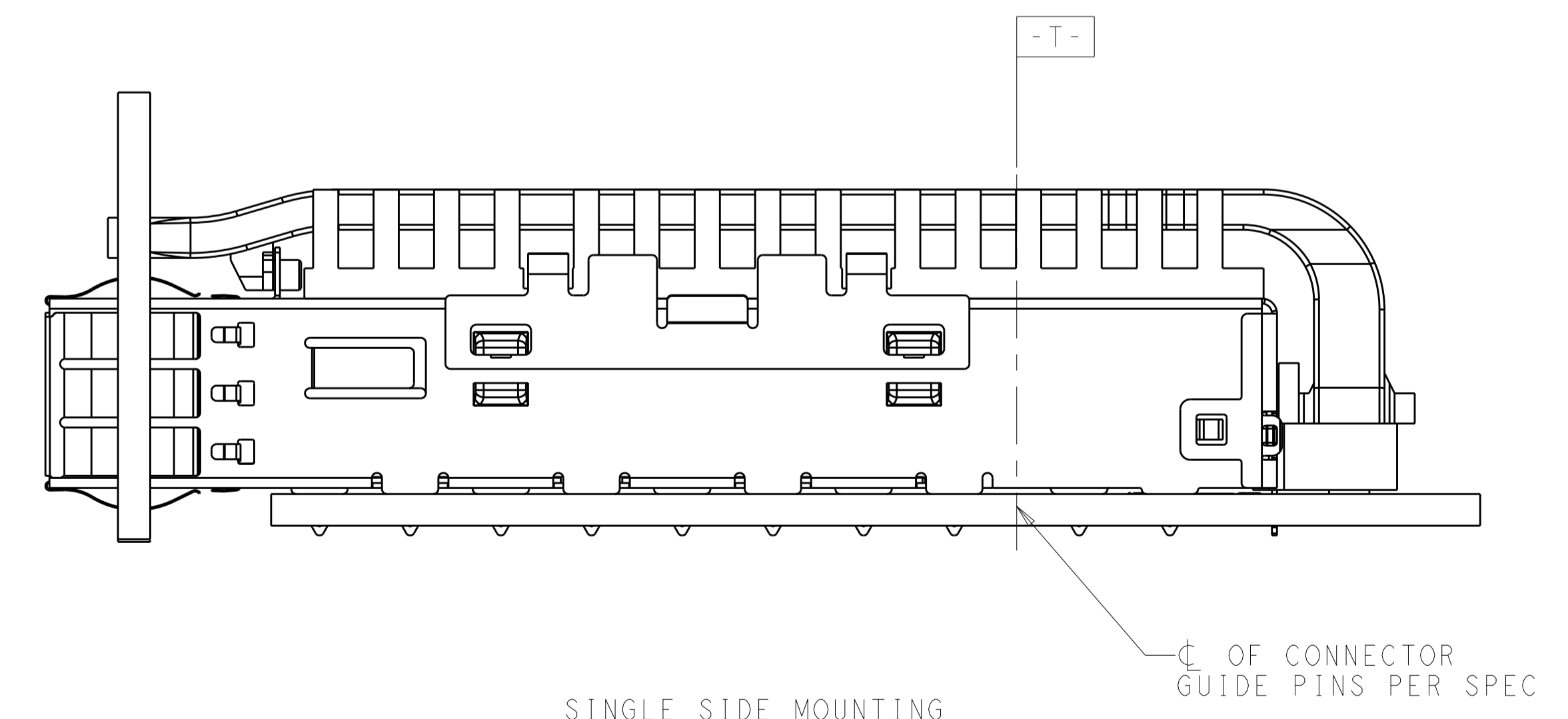
SINGLE LIGHT PIPE TYPE



SINGLE SIDE MOUNTING
SCALE 4:1



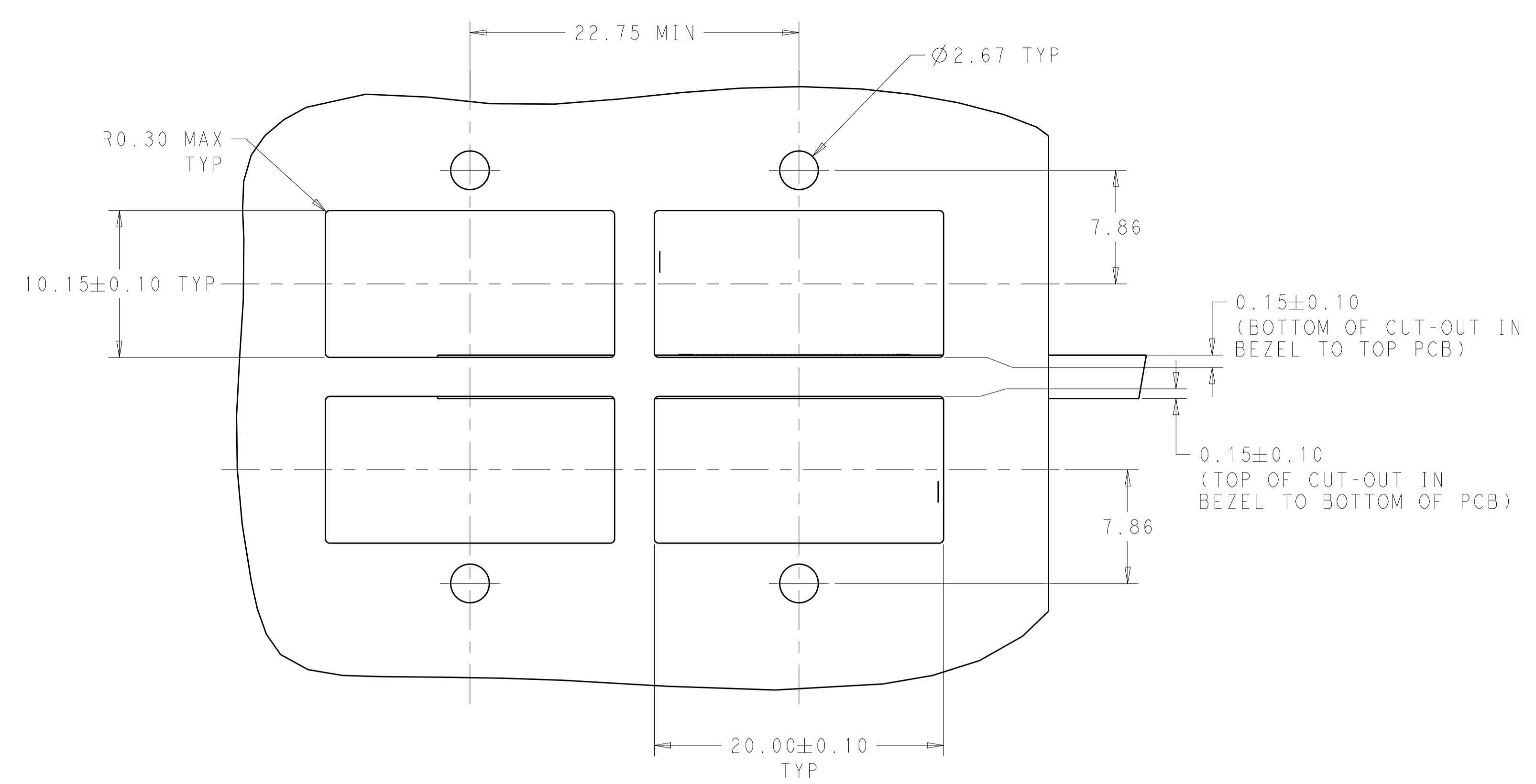
DUAL/QUAD LIGHT PIPE TYPE



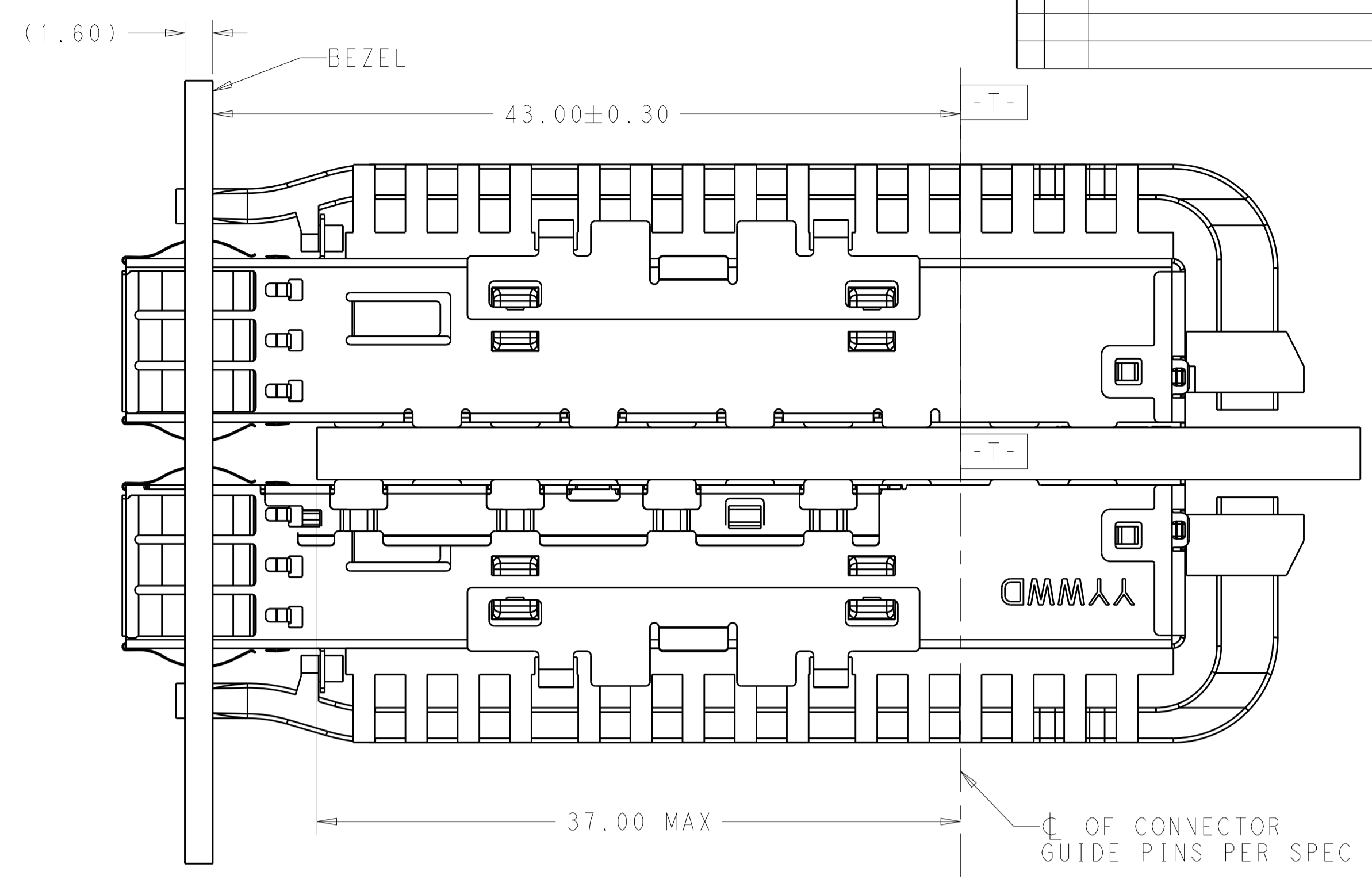
SINGLE SIDE MOUNTING
SCALE 4:1

THIS DRAWING IS A CONTROLLED DOCUMENT.		DMN	JASON YANG	07MAR2014	TE Connectivity										
DIMENSIONS:		CHK	SEAN HAN	26JAN2016											
mm	0 PLC ±0.25	APVD	SEAN HAN	07MAR2014	NAME CAGE ASSEMBLY, QSFP28, THRU BEZEL WITH EMI SPRING FINGER HEAT SINK, LIGHT PIPE										
TOLERANCES UNLESS OTHERWISE SPECIFIED: 1 PLC ±0.25 2 PLC ±0.25 3 PLC ±0.25 4 PLC ±0.100 ANGLES ±°	PRODUCT SPEC	108-19428		RESTRICTED TO											
MATERIAL	FINISH	WEIGHT	114-32023	SIZE	CAGE CODE	DRAWING NO	100779	SCALE	2:1	SHEET	4	OF	7	REV	A
CUSTOMER DRAWING		A100779		C=2170705											

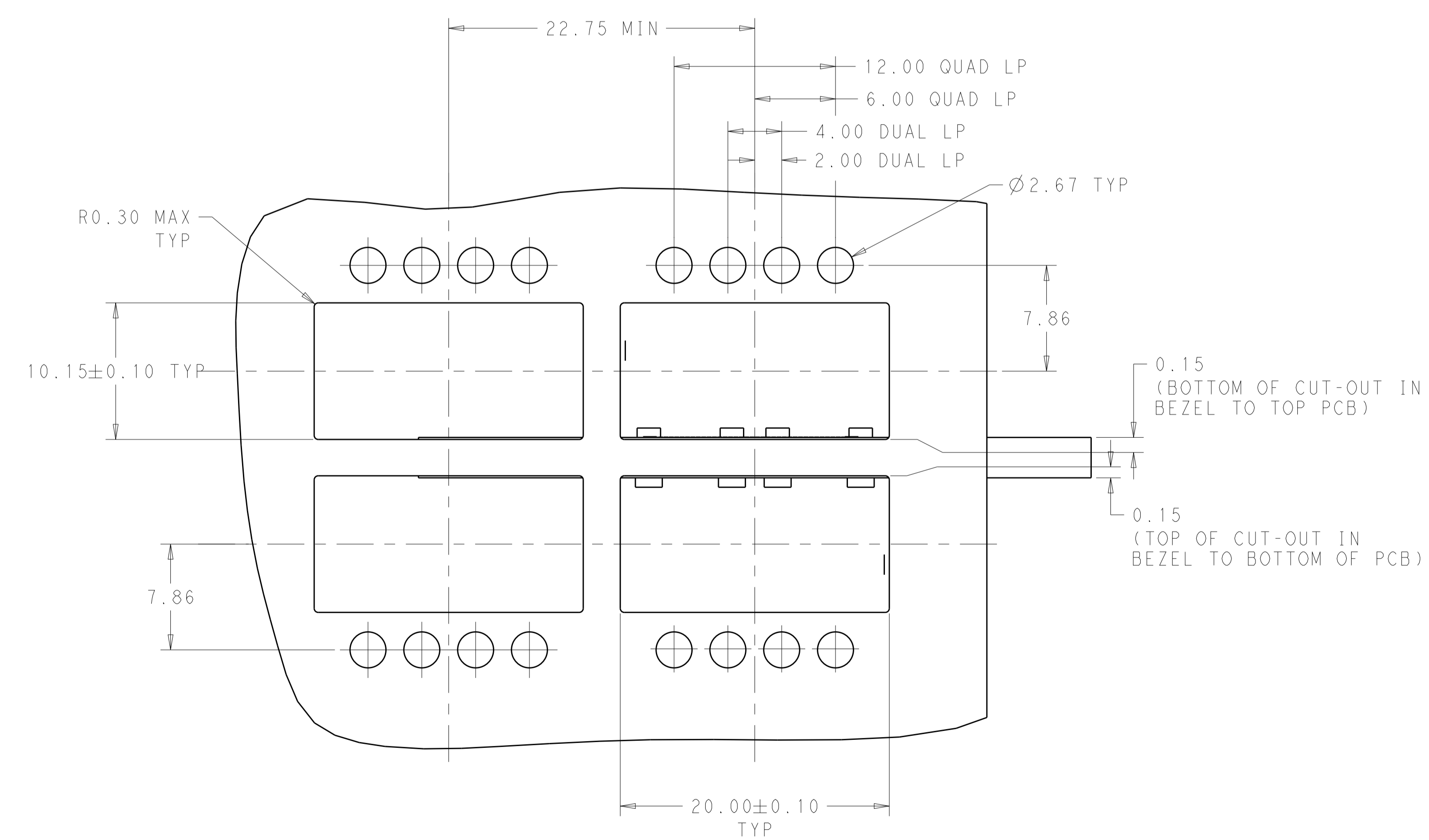
LOC	DIST	REV	DESCRIPTION	DATE	OWN	APVD
		1	SEE SHEET 1			



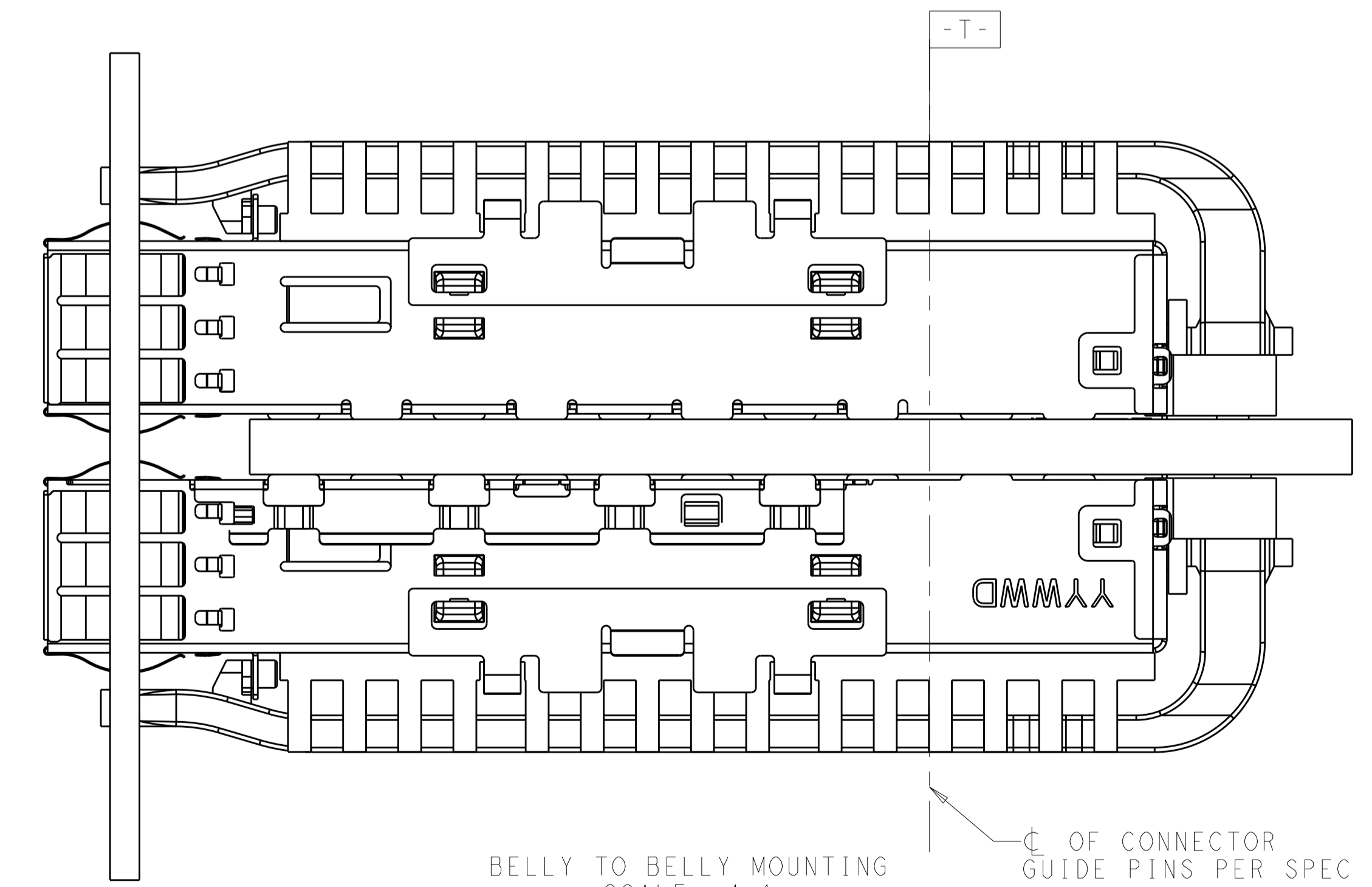
SINGLE LIGHT PIPE TYPE



BELLY TO BELLY MOUNTING
SCALE 4:1



DUAL/QUAD LIGHT PIPE TYPE

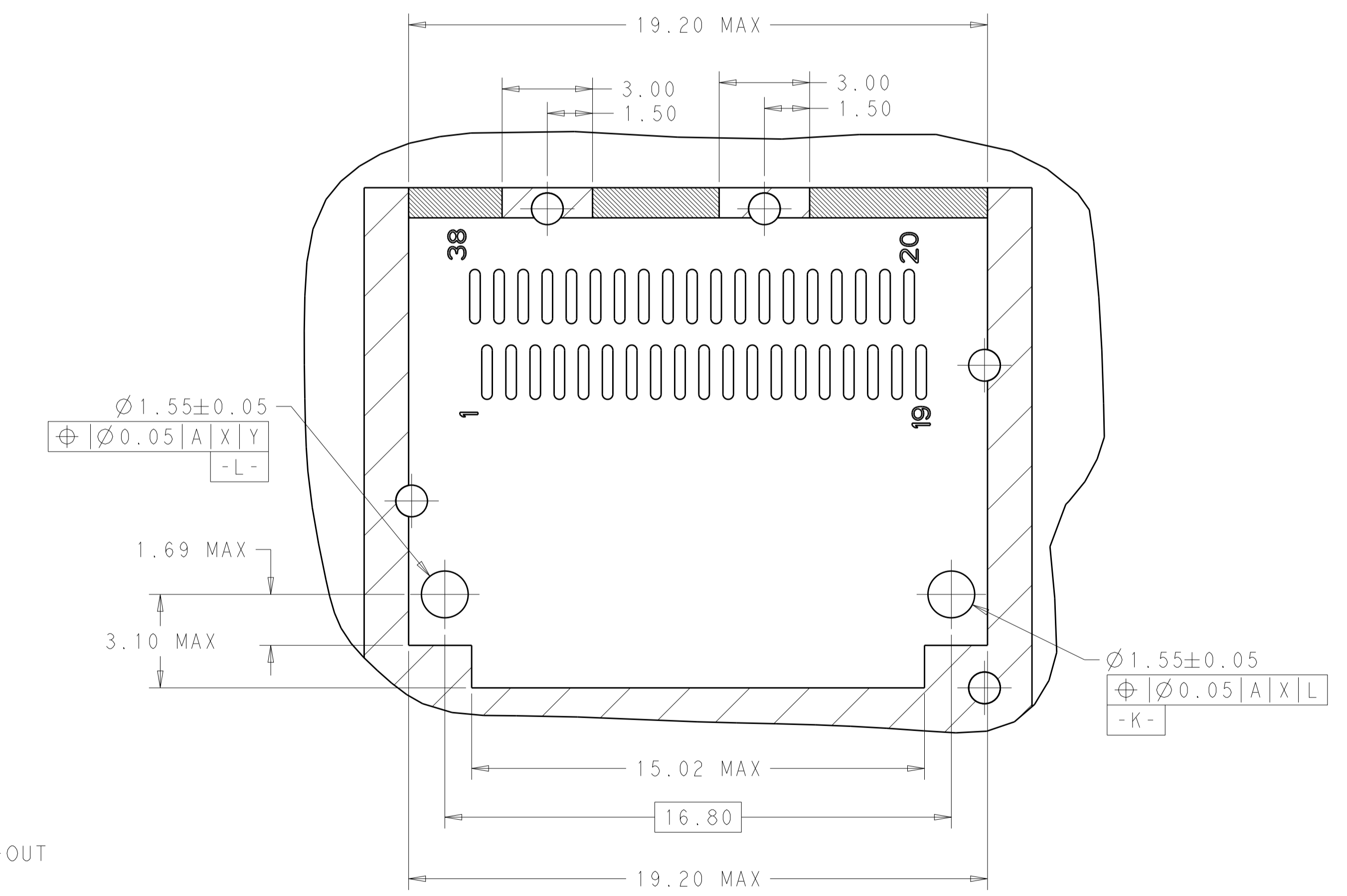
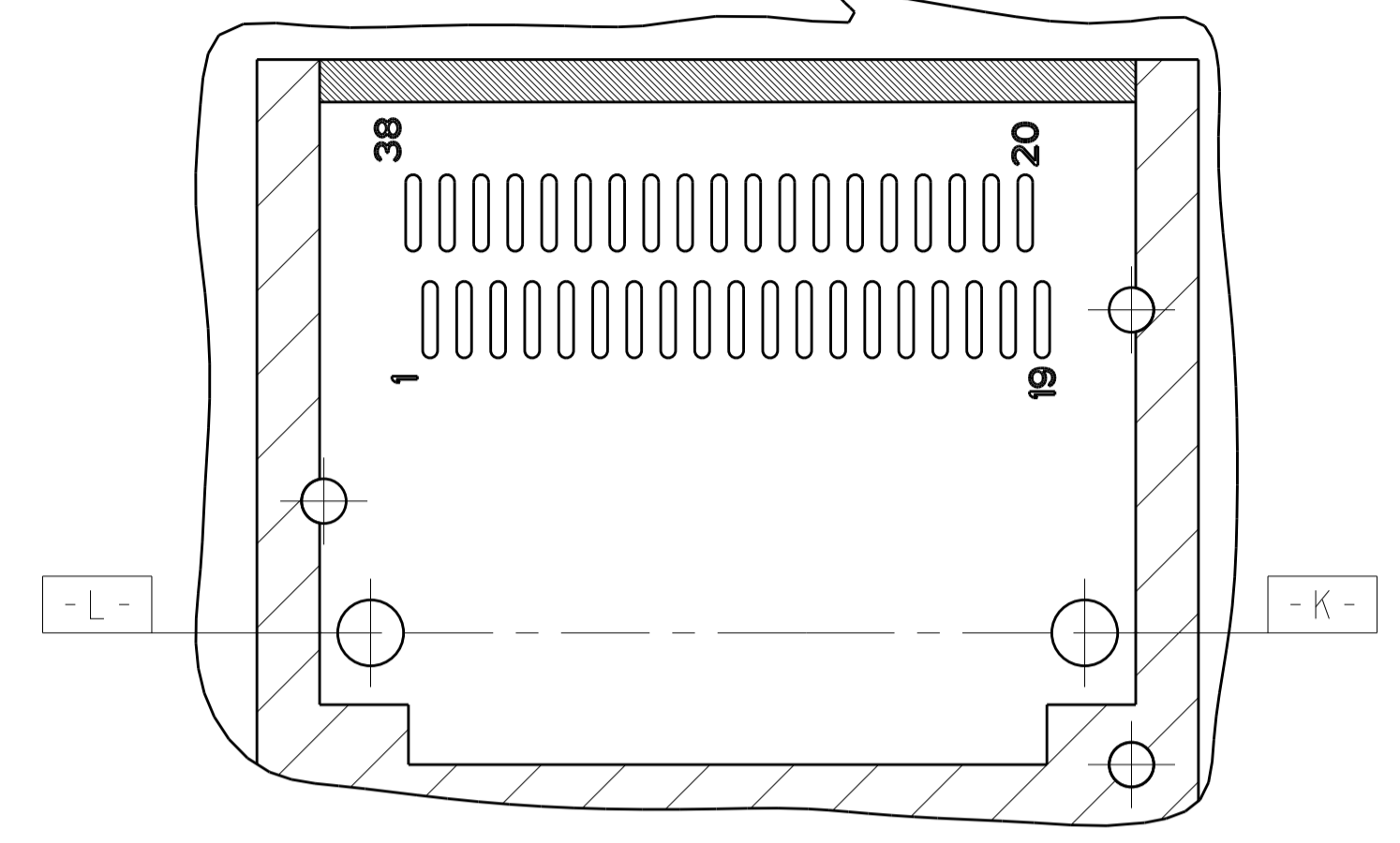
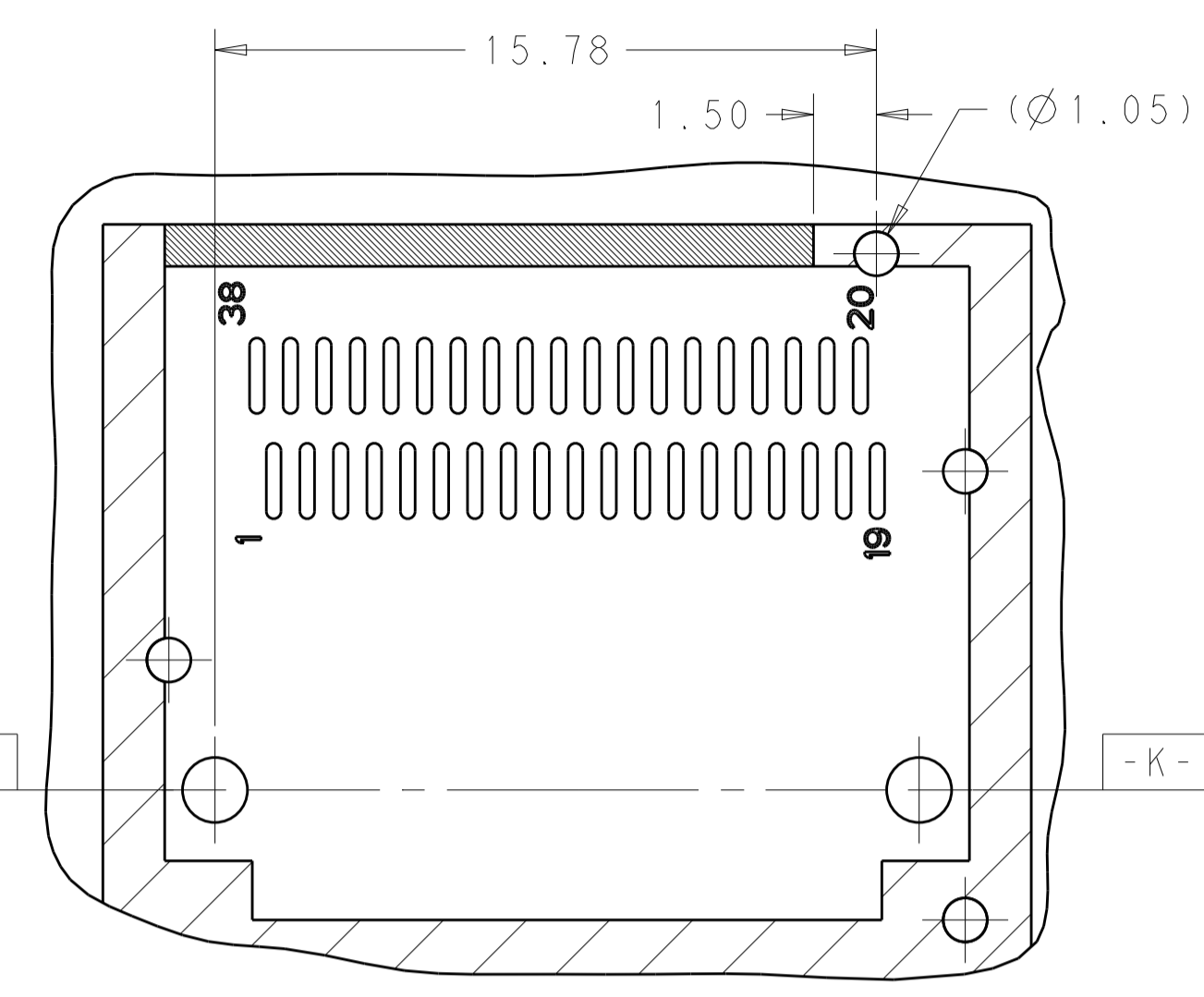
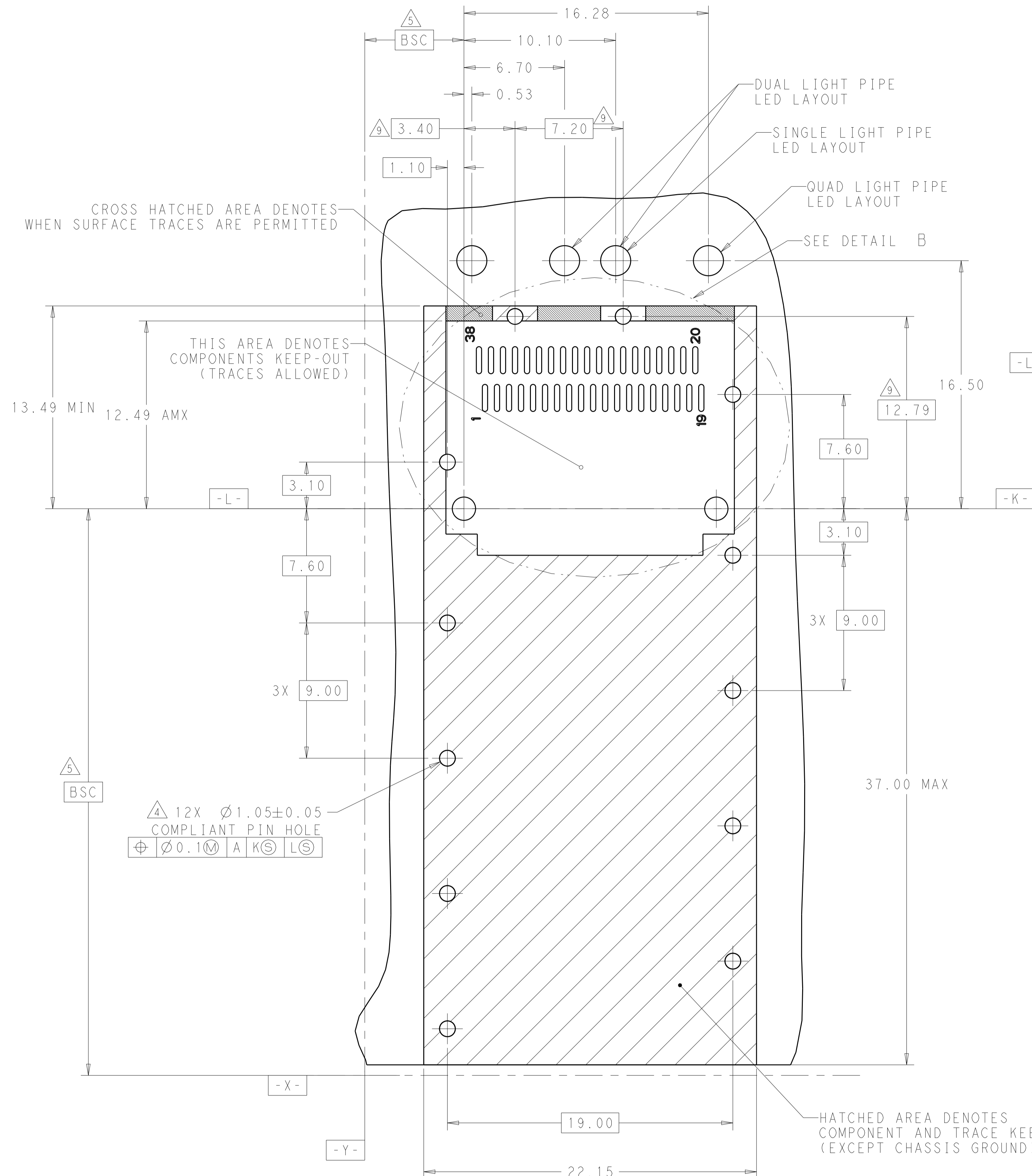


BELLY TO BELLY MOUNTING
SCALE 4:1

THIS DRAWING IS A CONTROLLED DOCUMENT.		OWN: JASON YANG 07MAR2014		TE Connectivity
DIMENSIONS: mm		CHK: SEAN HAN 26JAN2016		NAME: CAGE ASSEMBLY, QSFP28, THRU BEZEL WITH EMI SPRING FINGER HEAT SINK, LIGHT PIPE
TOLERANCES UNLESS OTHERWISE SPECIFIED:		APVD: 07MAR2014	PRODUCT SPEC: 108-19428	RESTRICTED TO:
0 PLC ±0.25			APPLICATION SPEC: 114-32023	SIZE: A1
1 PLC ±0.25			WEIGHT: -	CAGE CODE: 2170705
2 PLC ±0.20			CUSTOMER DRAWING	SCALE: 2:1
3 PLC ±0.100				SHEET 5 OF 7
4 PLC ±				REV A
ANGLES °				
FINISH				

LOC	DIST	REV	DATE	BY	APPV
		1			

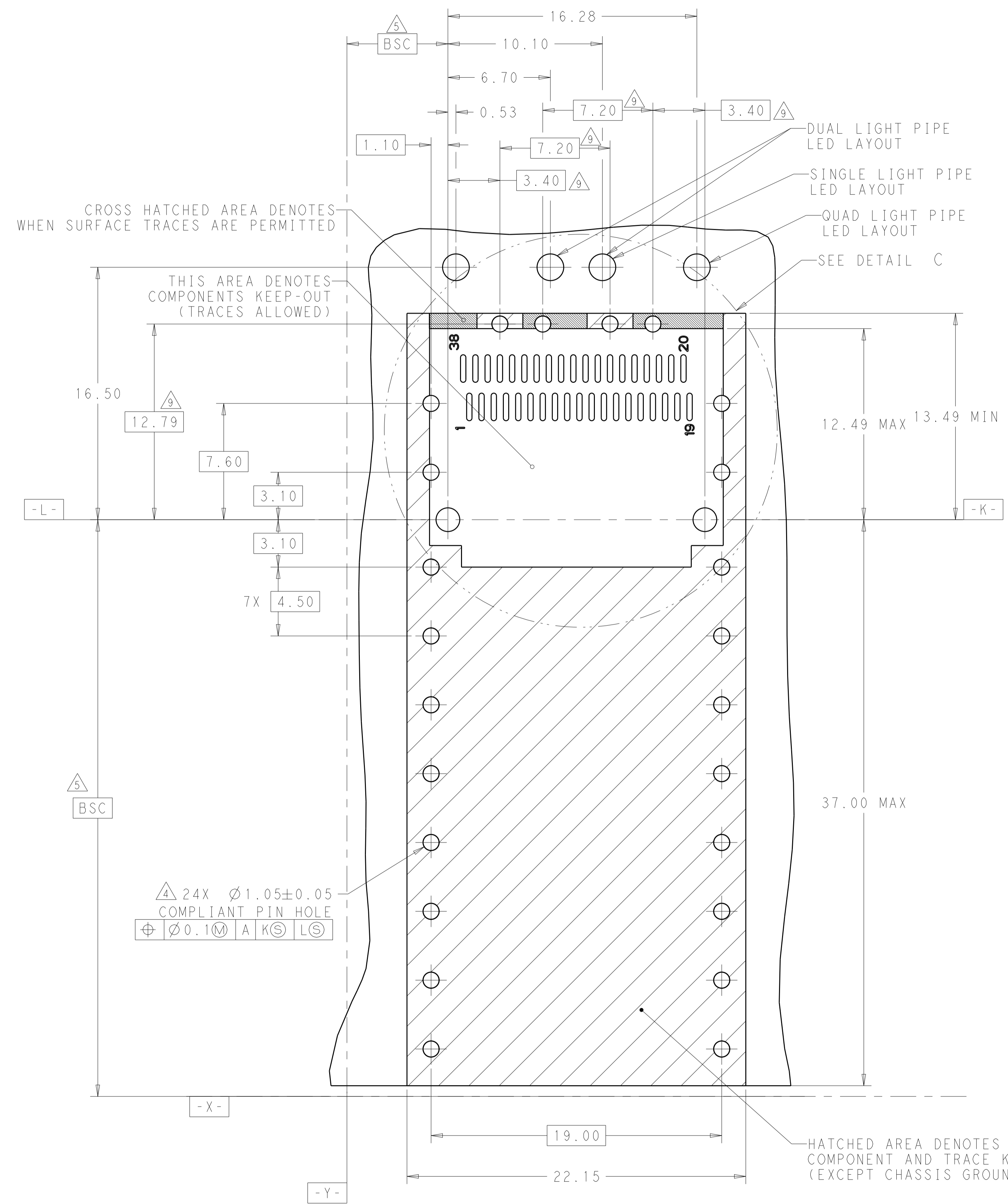
REV	DESCRIPTION	DATE	BY	APPV
1	SEE SHEET 1			



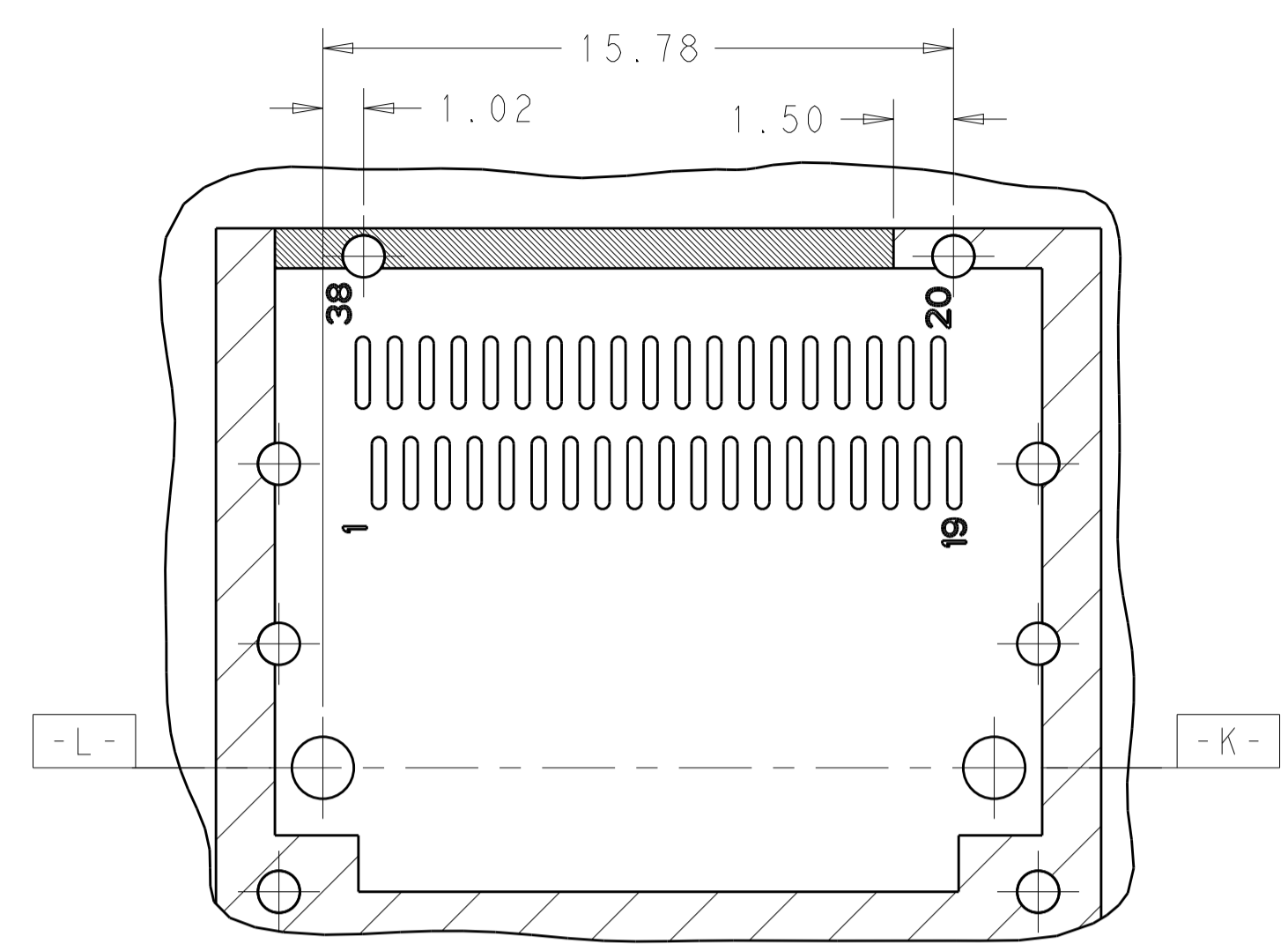
RECOMMENDED PCB LAYOUT
 SINGLE TYPE OF 2 REAR HOLES OF LEGS
 PCB TOLERANCE: ± 0.05
 SCALE 6:1

THIS DRAWING IS A CONTROLLED DOCUMENT.		OWN: JASON YANG 07MAR2014	TE Connectivity
DIMENSIONS: mm		CHK: SEAN HAN 26JAN2016	
TOLERANCES UNLESS OTHERWISE SPECIFIED:		APVD: 07MAR2014	NAME: CAGE ASSEMBLY, QSPF28, THRU BEZEL WITH EMI SPRING FINGER HEAT SINK, LIGHT PIPE
0 PLC ± 0.25	1 PLC ± 0.25	PRODUCT SPEC: 108-19428	SIZE: A100779
2 PLC ± 0.20	3 PLC ± 0.100	APPLICATION SPEC: 114-32023	RESTRICTED TO: -
4 PLC \pm	ANGLES \pm	WEIGHT: -	SCALE: 2:1
MATERIAL: -	FINISH: -	CUSTOMER DRAWING	SHEET 6 OF 7

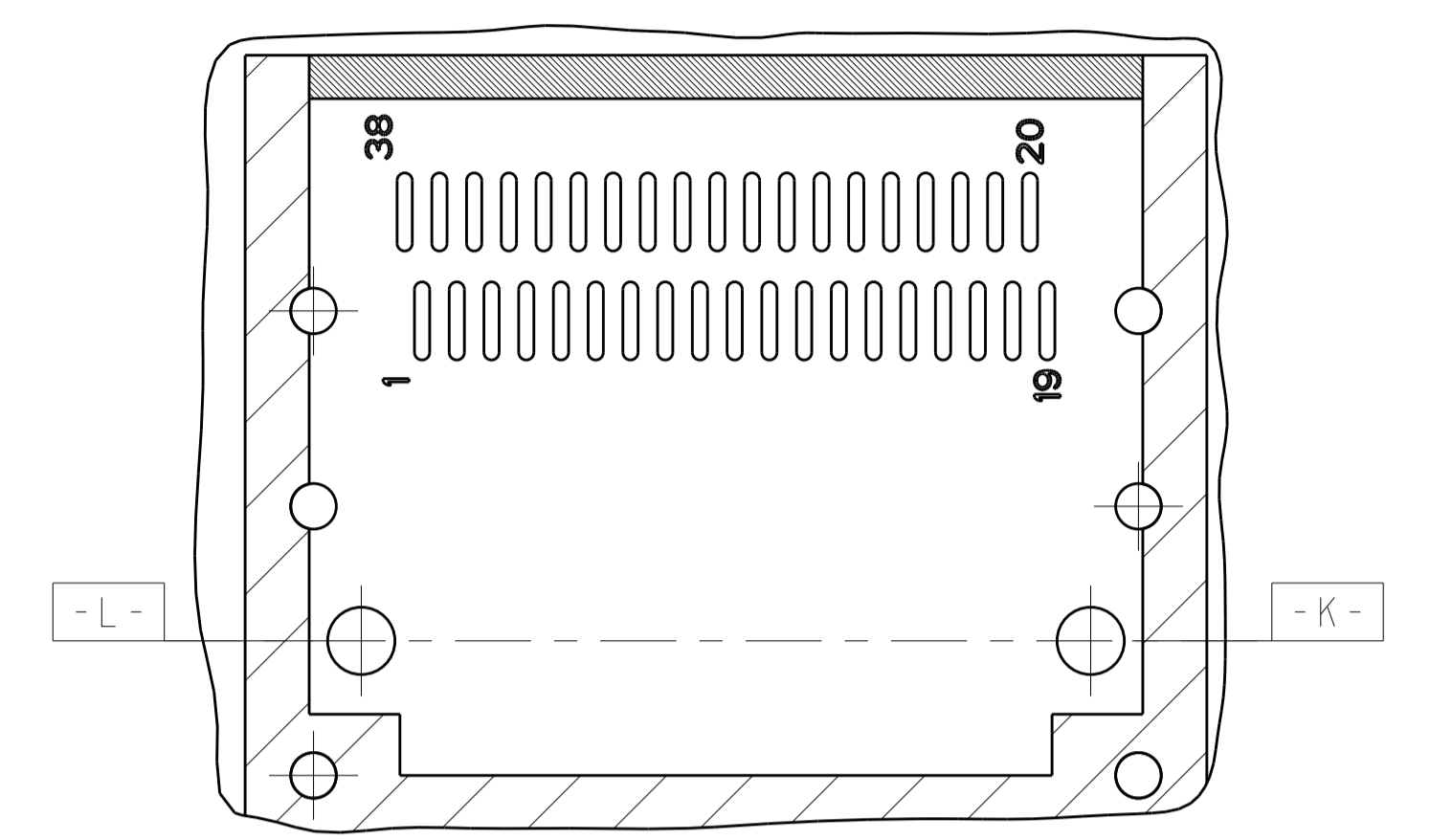
LOC	DIST	REV	DESCRIPTION	DATE	OWN	APVD
		1	SEE SHEET 1			



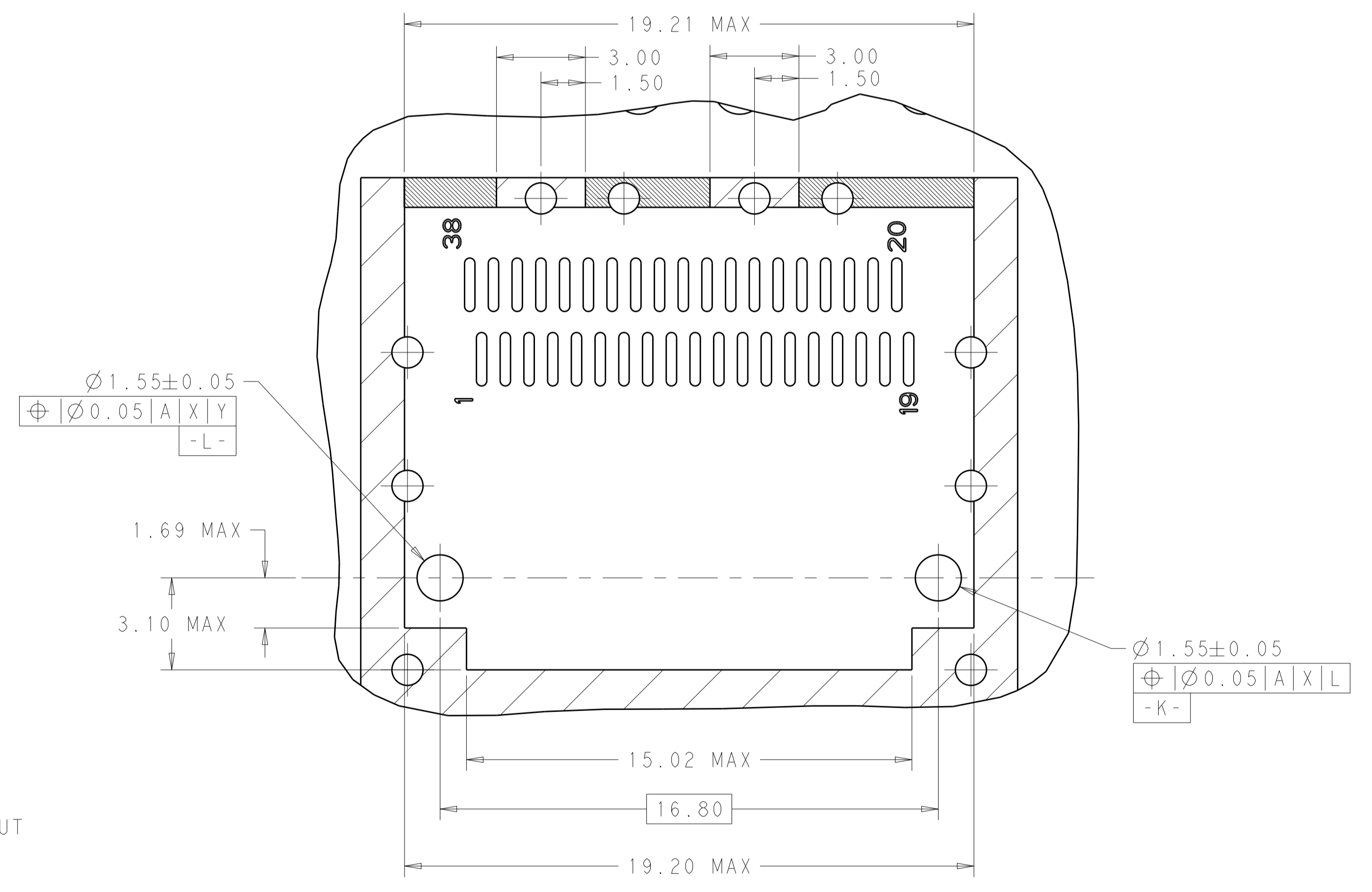
RECOMMENDED PCB LAYOUT
 BELLY TO BELLY TYPE OF 2 REAR HOLES OF LEGS
 PCB TOLERANCE: ±0.05
 SCALE 6:1



RECOMMENDED PCB LAYOUT
 BELLY TO BELLY TYPE OF 1 REAR HOLES OF LEGS
 PCB TOLERANCE: ±0.05
 SCALE 6:1



RECOMMENDED PCB LAYOUT
 BELLY TO BELLY TYPE OF 0 REAR HOLES OF LEGS
 PCB TOLERANCE: ±0.05
 SCALE 6:1



DETAIL C
 SCALE 8:1

THIS DRAWING IS A CONTROLLED DOCUMENT.		OWN: JASON YANG 07MAR2014	TE Connectivity
DIMENSIONS: mm		CHK: SEAN HAN 26JAN2016	
TOLERANCES UNLESS OTHERWISE SPECIFIED:		APVD: 07MAR2014	NAME: CAGE ASSEMBLY, QSPF28, THRU BEZEL WITH EMI SPRING FINGER HEAT SINK, LIGHT PIPE
0 PLC ±0.25	1 PLC ±0.25	PRODUCT SPEC: 108-19428	SIZE: A100779
2 PLC ±0.20	3 PLC ±0.100	APPLICATION SPEC: 114-32023	CAGE CODE: C=2170705
4 PLC ±0.100	ANGLES ±°	WEIGHT: -	RESTRICTED TO: -
MATERIAL: -	FINISH: -	CUSTOMER DRAWING	SCALE: 2:1 SHEET 7 OF 7 REV A