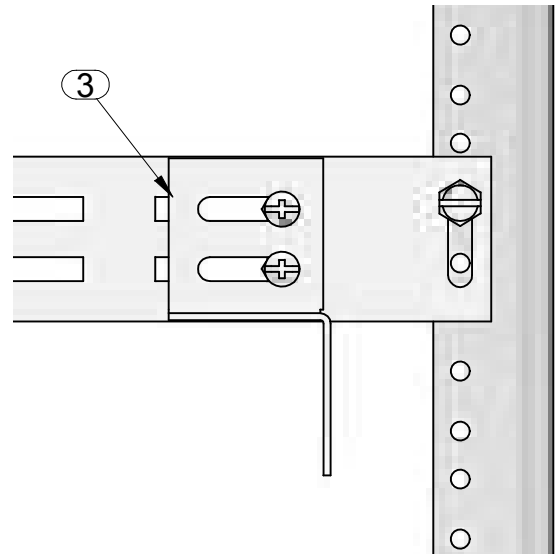
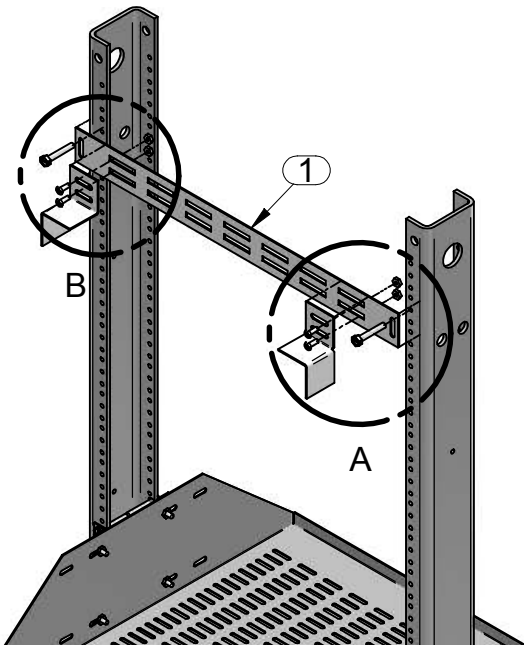


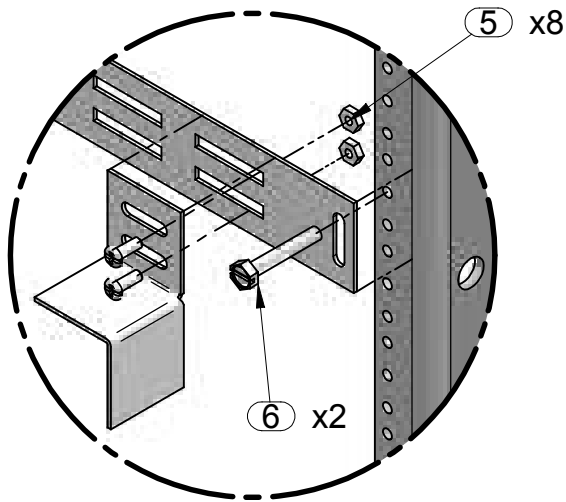
DNTB - SERIES

ASSEMBLY INSTRUCTIONS FOR TOWER BRACKET

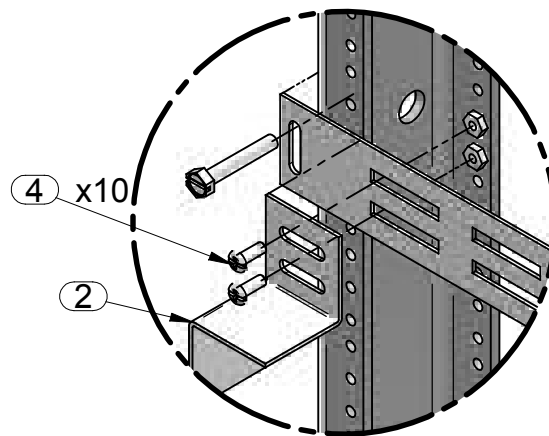
BUL10276
REV. A
PAGE 1 OF 1



RH BRACKET MOUNTED



DETAIL A



DETAIL B

ASSEMBLY INSTRUCTIONS:

- A) Using hardware supplied, attach item #1 to rack using 2 of item #4 or item #6. Be sure to adjust for proper height required. [See detail A].
- B) Attach item #2 and item #3 to bracket bar as shown in detail A and B, with item #4 and item #5.
- C) Adjust to width of tower and add item #7 to inside surfaces as required and tighten all screws.

PARTS LIST		
ITEM No.	DESCRIPTION	QTY
1	TOWER BRACKET BAR	1
2	LH BRACKET	2
3	RH BRACKET	2
4	SCREW 10-32 x 5/8"	10
5	10-32 KEPS NUT	8
6	SCREW 12-24 x 5/8"	2
7	STICK ON BUMBERS	8

TOOL BOX



Phillips
Screw Driver



HAMMOND
MANUFACTURING™
ELECTRONICS GROUP

visit our website @ www.hammondmfg.com