

SMART Dust Sensor SM-PWM-01C



SM-PWM-01C dust sensor detects dust particle concentration in air by using an optical sensing method. An infrared light emitting diode (IR LED) and a photo-sensor are optically arranged in the device. The photo-sensor detects the reflected IR LED light by dust particles in air. The dust sensor can detect the small particles like cigarette smoke and can distinguish small particles like smoke from large house dust by the pulse pattern of the signal output.

Features

- Compact size, lightweight (about W59x H46x D18 mm, 20g).
- PWM (Pulse Width Modulation) Output (Low pulse output).
- Distinguishes small particles of cigarette smoke from large particles of house dust.
- Low Pulse width is proportional to particle size concentration.
- Constant forced air convection flow by heater resistor in dust sensor.
- Lead free and RoHS directive compliant.
- Minimum particle size can be detected over 1 μ m (House dust size: avg 20 μ m, yellow dust size: avg 20 μ m, cigarette dust size: avg 1 μ m).

Table of contents

General Information

Applications.....	3
Internal Schematic	3
Electrical Characteristics.....	3
Operating Supply Voltage and Signal Output.....	4
Recommended Operating Temperature / Humidity.....	4
Connector.....	4
Pin Configuration.....	4
Electro-Optical Characteristics	5
Distinguishing Method Between Small Cigarette Smoke and Large House Dust	6
Low Pulse Width vs. Dust Size Distribution.....	6

Application Notes

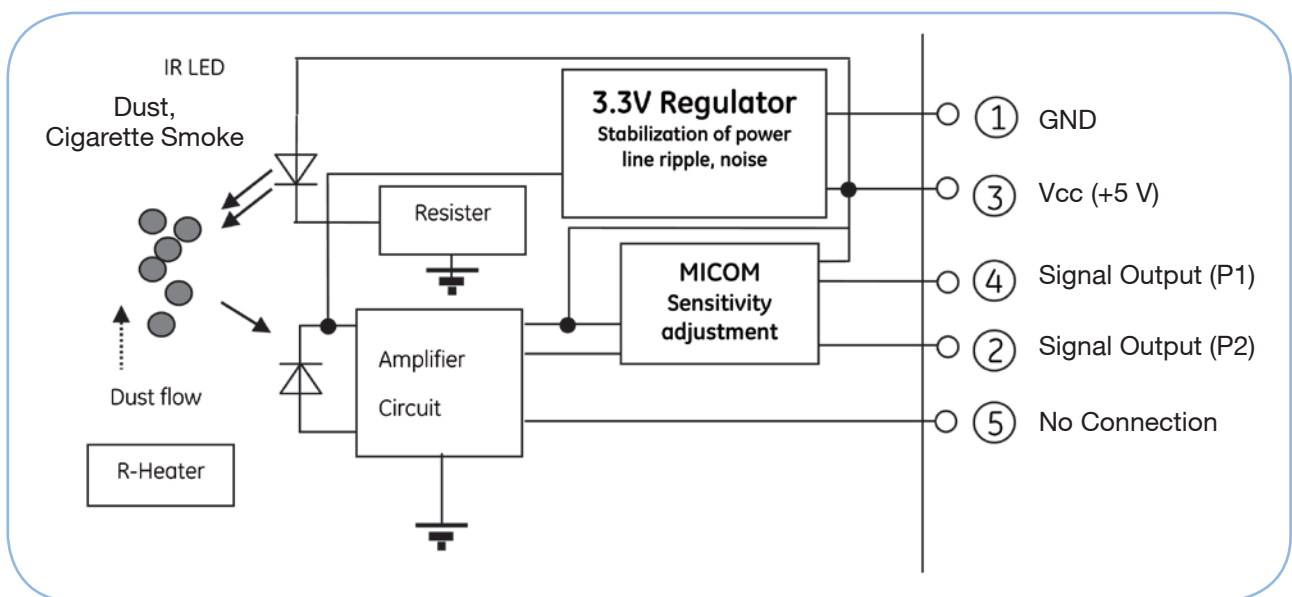
EMI and Power Line Noise Protection and Malfunction.....	7
Dust Sensor Install Method.....	7
Cleaning	8
Sensitivity Adjust, Customized Low Pulse Output Data Control by MICOM Programming	8
Responsibility	8
Reliability	9
Test Standard for Dust Sensor Calibration.....	10
Lot Control	10
Packing Specification.....	10
Dimensions.....	11

SMART Dust Sensor SM-PWM-01C

Applications

- Detection of dust in the air for indoor air quality monitoring
- Air cleaners, air purifiers, air conditioners and indoor air quality monitors
- Outdoor dust monitoring with special mechanical design for customer
- Smoke type fire alarm application by different sensor adjustments (customer option)

Internal Schematic



P1: small particle (1 ~ 2 μ m),
P2: large particle (3 ~ 10 μ m)

- SM-PWM-01C dust sensor cannot count particles or measure quantitatively; the size is only for reference.

Electrical Characteristics

Absolute Maximum Ratings			
Parameter	Symbol	Rating	Unit
Supply Voltage	Vcc	-0.3 to + 7.0	V
Operating Temperature	Topr	-10 to 60	°C
Storage Temperature	Tstg	-30 to 80	°C

SMART Dust Sensor SM-PWM-01C

Operating Supply Voltage and Signal Output

(Ta=25 °C)

Parameter	Symbol	Rating	Unit
Supply Voltage	Vcc	DC 5 ± 5%, Ripple <30mV	V
Current Consumption	Icc	<-90 ± 10% *1	mA
Signal Output	P1, P2		

**1. Input impedance 200 kΩ Pull-Up 10 kΩ, recommend 30 sec moving average of output signal.

*2. To stabilize heater resistor and air flow in dust sensor.

Recommended Operating Temperature / Humidity

Parameter	Rating	Unit
Operating Temperature / Humidity	-10~ 45°C, < 85%RH *1	°C, %RH

*1. Dust sensor can detect micro size water droplets, such as fog and mist, as particles.

Do not use the dust sensor in high humidity environments as the humid air is under submicron size, and the dust sensor cannot differentiate this.

Connector

Standard Connector (SM-PWM-01C)			
Part No.	Symbol	Description	Maker
Connector	A2512WR-5P	2.5mm pitch	http://www.cjt.cn/Product_Details.asp?P_ID=43
Housing			
Terminal			

Pin Configuration

Number	Symbol	Pin Description
1	GND	Ground, Connect with system ground
2	P2	Low Pulse Signal Output (P2) of large particle, active low
3	Vcc	Input Supply Voltage
4	P1	Low Pulse Signal Output (P1) of small particle, active low
5	NC	Not connected

Please refer to the drawing for pin sequence.

- For P1 and P2, an external pull up resistor is not required internal pull up is nominal 10kΩ.

SMART Dust Sensor SM-PWM-01C

Electro-optical Characteristics

Parameter	Symbol	Condition	Min	Typ	Max	Unit
Sensitivity	S	*1*2*5	0.3	0.5	1	mSec/μg
Low Pulse Output Occupancy	Loo	*3*4	0	5.5	25	%
Detection Range	M	*4	0.01	350	3000	ug/m ³

*1. Sensitivity is specified by the amount of low pulse occupancy change when dust concentration changes from 350ug/m³ to 820ug/m³ theoretically. The 120 second is needed for the stabilization of dust sensor in the testing chamber.

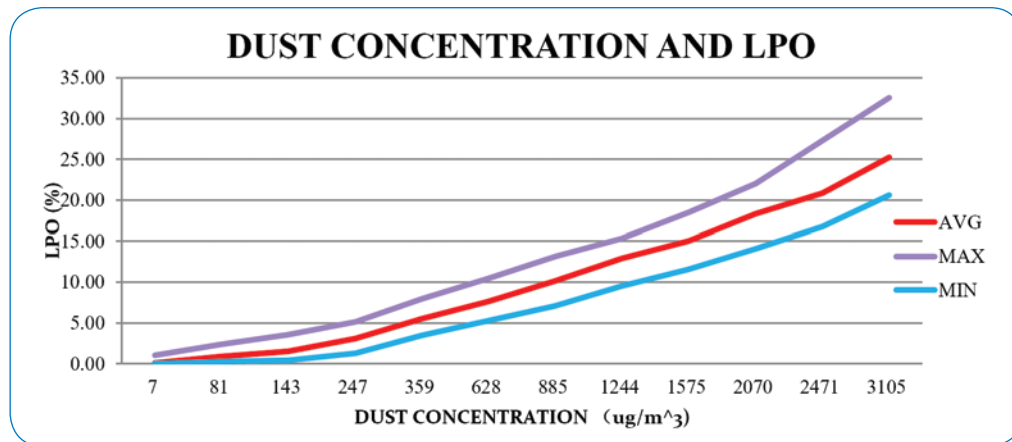
*2. Sensitivity of dust sensor is shown in the Internal Schematic on page 3.

*3. Low pulse occupancy (%) = total sum of low pulse width (mSec)/30,000mSec*100.

Low pulse output is measured from the output signal of P1, connector pin number 4 in dust sensor. Moving average calculation method during certain measuring time (Top) is used to determine the contaminated level of air. LPO is dependent on the dust concentration and dust size, and it changes from 0 to 20%. (Refer to Internal Schematic on page 3.)

*4. Dust concentration: Normally cigarette smoke's particle size distributes from 0.3 to 10 micrometer. The particle size of one micrometer of cigarette smoke is monitored in our test chamber for the calibration test of dust sensor.

*5. Particle size and concentration is measured using TSI8530 made by USA. Linearity of SM-PWM-01C sensitivity will be kept up to 15% of reading.



The chart above is of test data from 1000 quantity products and is for reference purposes only.

- The sensor is tested at dust concentration of 350 and 850 ug/m³ for sensitivity adjustment.
 - LPO range of high and low sample are from 13.18 % to 7.1% at 850 ug/m³ dust concentration.
 - LPO range of high and low sample are from 7.93% to 3.5% at 350 ug/m³ dust concentration.
- Guideline to display and motor control method by the contamination level
 - Level 1: Normal house and office's contamination level is 50,000 pcs per cubic feet.
 - Level 2: If cigarette smoke is started to contaminate the room, LPO is increase and soon reach from 1.5~2 %.
 - Level 3: If dust or cigarette smoke contaminates the room more, LPO is increased continuously up 3~4%.
 - Level 4: If dust or cigarette smoke is at a high concentration and LPO level reaches up to 6%, please monitor LPO level change over 30 seconds and compare the LPO level by moving average statistical method. Guide-line only.

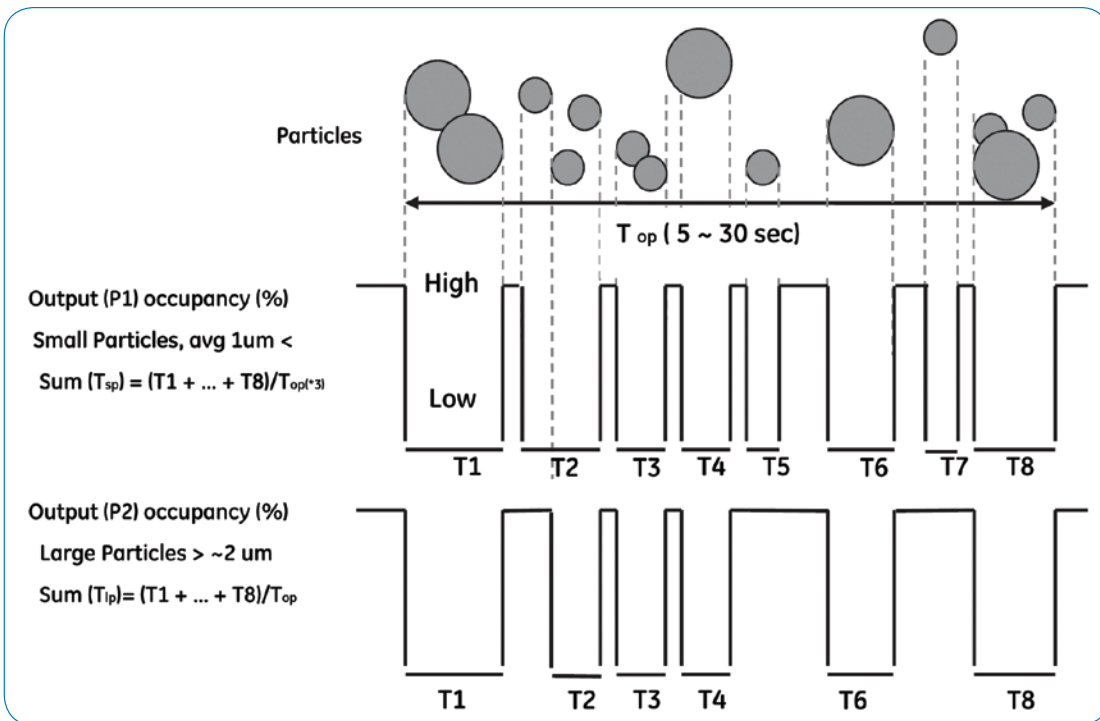
SMART Dust Sensor SM-PWM-01C

Distinguishing Method Between Small Cigarette Smoke and Large House Dust

As shown below, the output of small cigarette smoke shows narrow pulse or overlapped pulse shape continuously. The output of large dust shows wide pulse and not overlapped.

Therefore, by reading a transition of output pulse during a certain time period using system MICOM, the system can distinguish:

- (a) Type of dust
- (b) Large particle
- (c) Small particle



Low Pulse Width vs. Dust Size Distribution

Parameter	Symbol	Condition	Typ	Unit
Low pulse width of a small particle (P1)	T_{sp}	*1 Cigarette smoke	0.5	mSec
Low pulse width of a large particle (P2)	T_{lp}	*2 House dust	350	$\mu\text{g}/\text{m}^3$

- *1. Low pulse width is decided by dust size and concentration. In a moderately contaminated condition, $350 \mu\text{g}/\text{m}^3$ of cigarette smoke, output pulse width of P1 pin is the average detection result of average one micrometer size of particles based on cigarette smoke during certain period.
- *2. Low pulse width of a big house dust particles is bigger than cigarette smoke particles. The particle size is normally 5 to $20 \mu\text{m}$ and more. P2 can be used to detect large particle like house dust and pollen.
- *3. Top is the continuous operating time for particle detection. It is normally from 5 to 10 second for air cleaner application for fast feeling.

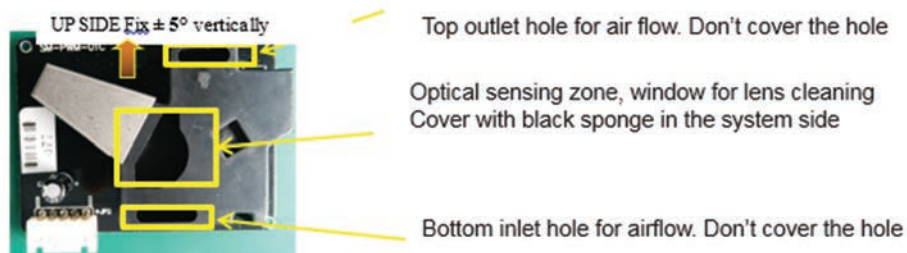
SM-PWM-01C Application Notes

EMI and Power Line Noise Protection and Malfunction

The plastic cover case is conductive polymer material or has same function by treatment. Top metal shield case and plastic cover case is connected with GND in sensor. The photo sensor signal is weak for EMI. To protect EMI affection of photo sensor signal from motor and high voltage source, an additional bottom metal shield case could be soldered on electronic PCB's ground by customer requirements. Normally, top shield case is enough to protect EMI from outer electronic goods. However, to prevent EMI from high voltage negative ion generator and power line noise from electric dust collector, please install the high voltage generator in the opposite side from dust sensor - also pay attention to prevent power line noise by using noise filter. The malfunction of dust sensor can be observed by taping all holes of dust sensor completely not to penetrate dust into open holes of dust sensor. After making clean the dust sensor chamber and taping all holes not to come any dusts into optical zone of sensor and operate the sensor. In this experiment dust sensor has not to show any low pulse output. If it is interrupted by EMI and line noise, many low pulse output signal will be showed up. In this case, please consult Amphenol Advanced Sensors technical team.

Dust Sensor Install Method

When installing the dust sensor in air cleaner, dust sensor must be installed vertically in a place that is not affected by air flow caused by motor fan rotation. We recommend to install dust sensor in the front panel. The dust sensor can detect the water vapor as dust. Please do not use dust sensor in a vaporizing place like a bathroom or near a air humidifier. Dust sensors use IR wave-length LED and the visible cutoff photo sensor, but the irradiation by lamp light of optical zone will cause malfunction of dust sensor. Please cover the center hole shaped triangle by using black sponge not to irradiate dust sensor optics. **Please do not cover the bottom and top hole for air flow to measure the dust. The center hole of PCB is for screwing bolt to system. Please use screw PH 3 pie for fixing. Please pay attention not to damage and touch sensor case.**



The heater resistor is installed inside of dust sensor for inducing the forced air convection and the heated air flows from bottom side to top side direction. The heater resistor's temperature is increased over 40°C than atmosphere. So, vertical positioning of dust sensor is important for air flow direction and speed optical zone. The air flow direction and flow speed can affect the signal output of dust sensor. **Please keep ± 5 degree position vertically.**

SM-PWM-01C Application Notes

Cleaning

Cigarette tar on the lens will affect the sensitivity of the dust sensor. Wet swab with alcohol and rub softly the lens and dry. Normally wet cleaning is not recommended, because there is a case this device is not satisfied with its characteristics by wet cleaning. Wet cleaning is not recommended, and may not improve characteristics. If large particles such as home dust are accumulate in the dust sensor optics parts, please consider vacuuming or blowing off the dust by air.

Sensitivity Adjust, Customized Low Pulse Output Data Control by MICOM Programming

SM-PWM-01C is the dust sensor that sensitivity is adjusted by MICOM program. Customer cannot change the sensitivity by changing volume resistor. MICOM send the low pulse output data proportional with dust concentration. Also MICOM can be programmed to send the communication code with system MICOM like code for LED level or code for monitoring sensor life. If customer wants to use dust sensor to special purpose like fire detection, MICOM program can be changed to send low pulse data for fire alarm level warning. Please contact your Amphenol Advanced Sensors technical team for more information.

Responsibility

This product shall not contain the following materials banned in RoHS Directive. (2002/95/EC) Pb, Hg, Cd, Cr+6, PBB, PBDE

SM-PWM-01C Application Notes

Reliability

1	Drop	Drop it unintentionally from 100cm height down to the hard wooden board three times at random direction		
2	High Temp. Storage	Leave in the atmosphere 80°C for 1,000 hours		
3	Low Temp. Storage	Leave in the atmosphere -30°C for 1,000 hour		
4	Thermal Cycle	<p>Repeat 20 times in the following cycle.</p>	<ul style="list-style-type: none"> - No damage - No breakage 	N=10
5	Thermal Shock	<p>Repeat 20 times in the following cycle.</p>	<ul style="list-style-type: none"> - Output within $\pm 30\%$ of the initial LPO of sample 	
6	High Temp. Operation	Operating in the atmosphere of 60°C for 1000 hours		
7	Low Temp. Operation	Operating in the atmosphere of -10°C for 1000 hours		
8	Mechanical Shock	<p>Frequency : 5~55~5Hz Acceleration : 21.6m/s²(2.2G) Direction : X,Y,Z direction for 2 hours</p>		N=2

SM-PWM-01C Application Notes

Test Standard for Dust Sensor Calibration

The first standard is the certificated particle counter.

The second standard is the master dust sensor. The master dust sensor is always used for the process quality control of production.

The master dust sensor will be compared with the customer master sensor every six months.

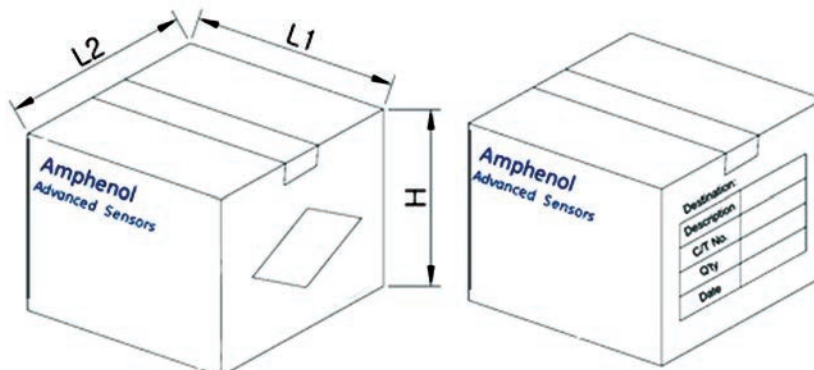
Lot Control

Lot number: Four digit stamping of the manufacturing date on dust sensor PCB side.

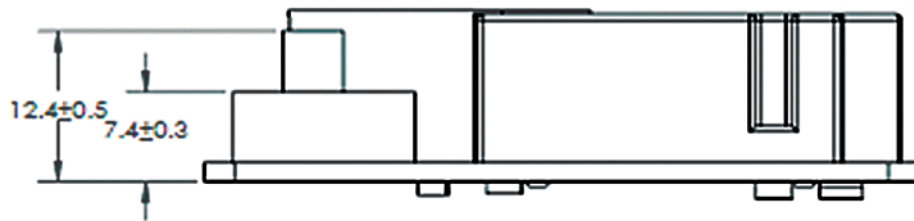
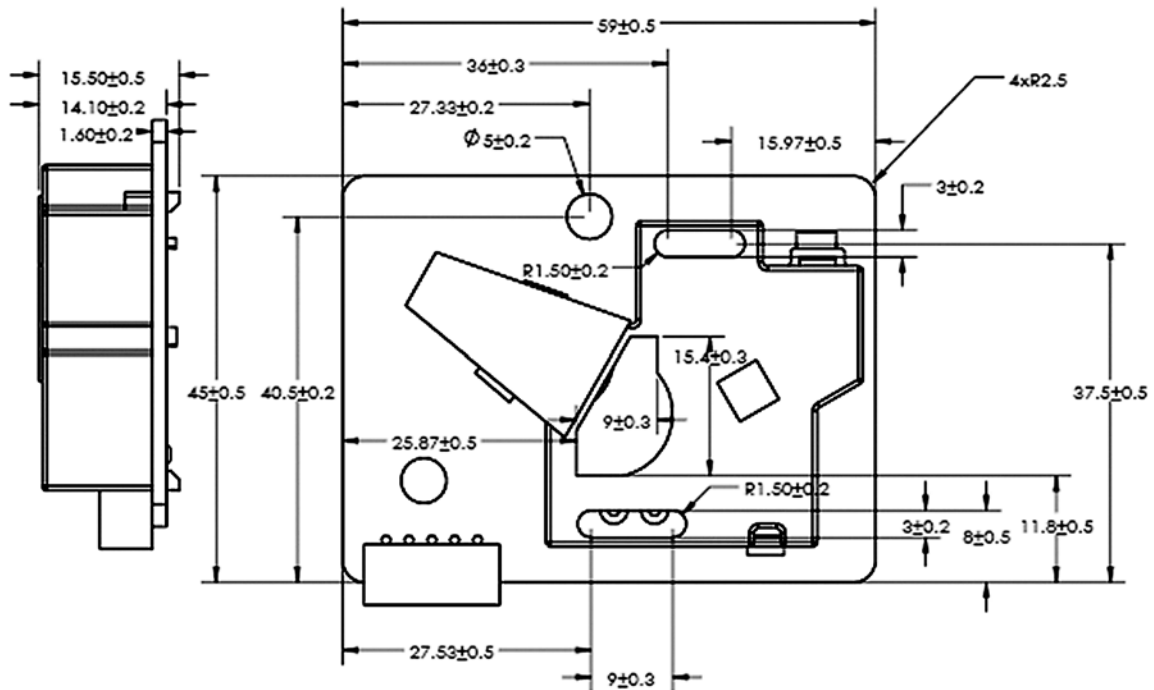
Year	Month		Day				Shift		Board		
A	2015Y	1	1M	1	1D	G	16D	morning	A	A	Test Board 1
B	2016Y	2	2M	2	2D	H	17D	noon	B	B	Test Board 2
C	2017Y	3	3M	3	3D	I	18D	night	C	C	Test Board 3
D	2018Y	4	5M	4	4D	J	19D			D	Test Board 4
E	2019Y	5	5M	5	5D	K	20D			E	Test Board 5
F	2020Y	6	6M	6	6D	L	21D			F	Test Board 6
G	2021Y	7	7M	7	7D	M	22D			G	Test Board 7
F	2022Y	8	8M	8	8D	N	23D			H	Test Board 8
H	2023Y	9	9M	9	9D	O	24D			I	Test Board 9
I	2024Y	A	10M	A	10D	P	25D			J	Test Board 10
J	2025Y	B	11M	B	11D	Q	26D				
		C	12M	C	12D	R	27D				
				D	13D	S	28D				
				E	14D	T	29D				
				F	15D	U	30D				

Packing Specification

Weight Max 12kg					
Box Size	L1	L2	H	Inner Qty.	Total Qty.
Box 1 (large)	395mm	395mm	410mm	8	400
Box 2 (small)	395mm	395mm	265mm	4	200



SM-PWM-01C Dimensions



NOTES:
 TOLERANCE UNITS: mm
 X: ±0.5
 X.X: ±0.2
 X.XX: ±0.1

Amphenol Advanced Sensors takes no responsibility for any problems related to any intellectual property right of a third party resulting from the use of Amphenol Advanced Sensors' device. Amphenol Advanced Sensors takes no responsibility for damage caused by improper use of the device which does not meet the condition of absolute maximum ratings to be specified in relevant specification sheet nor meet the condition of the extremely high level of reliability and safety such as safety device, clean room monitoring, fire alarm, life support equipment, etc.

This publication is the proprietary product of Amphenol Advanced Sensors and is copyright with all rights reserved. Under the copyright laws, no part of this publication may be reproduced or transmitted in any form of or by any means, for any purpose, without the express written permission of Amphenol Advanced Sensors. The express written permission is also needed before any use of this publication by a third party.

Please contact with a Amphenol Advanced Sensors representative if there are any questions for this publication.

Amphenol
Advanced Sensors

www.telaire.com

www.amphenol-sensors.com

© 2017 Amphenol Corporation. All Rights Reserved. Specifications are subject to change without notice.
Other company names and product names used in this document are the registered trademarks or
trademarks of their respective owners.

AAS-930-185B - 09/2017