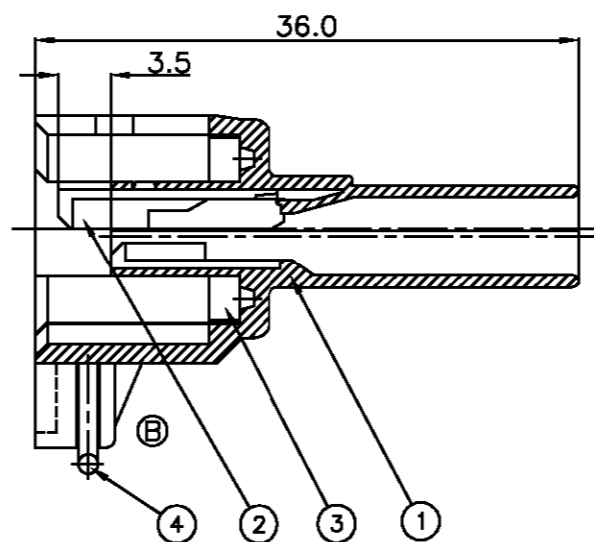
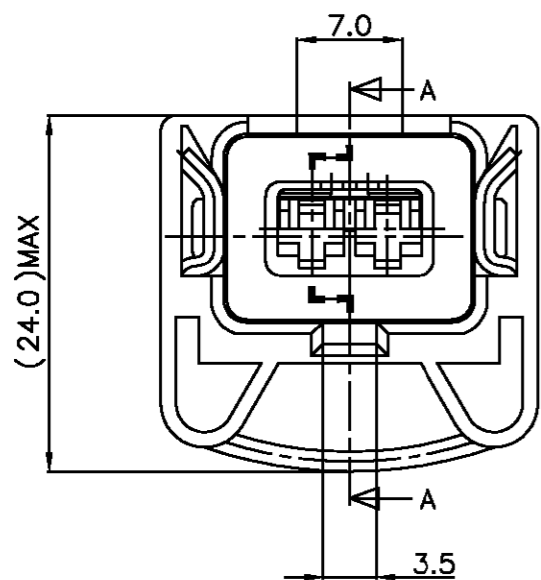


LOC DS

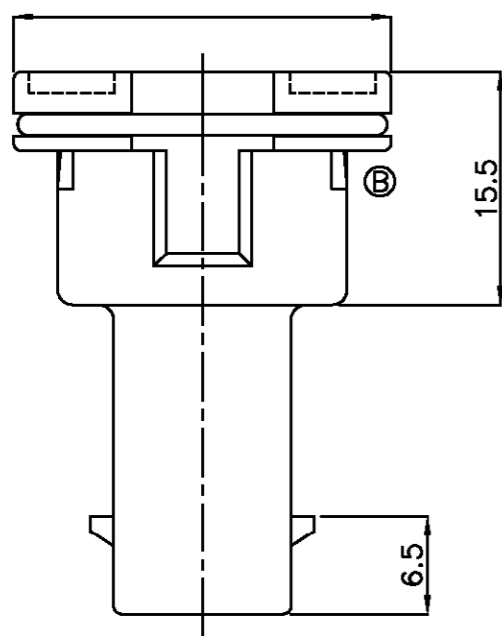
DIST

REVISIONS

P	LTR	DESCRIPTION	DATE	DWN	APVD
	O	RELEASED (FC00-0066-99)	2/JUN '99	YD	CS
	A	REVISED (FC00-0026-00)	20/MAR '00	YD	CS
	B	REVISED (FC00-0138-02)	22/NOV '02	YD	CS
	C	REVISED (FC00-0023-05)	18/JAN '05	YD	CS



SECTION A-A



* NOTES *

- 1. APPLICABLE CONTACT P/NO: 927770 / 927766
- 2. APPLICABLE WIRE SEAL P/NO: 828904 / 828905 / 368064

NO	P/NO	DESCRIPTION	MATERIAL	COLOR	Q'TY
4	85387-1	SPRING	SUS 304	X	1
3	85383-1	SEAL RUBBER	SILICONE	ORANGE	1
2	85204-1	SPACER	PBT	YELLOW	1
1	368355-5	JPT 2P HSG FOR CLIP	PBT 30% GF	DARK GRAY	1
1	368355-4	JPT 2P HSG FOR CLIP	PBT 30% GF	BROWN	1
1	368355-3	JPT 2P HSG FOR CLIP	PBT 30% GF	GREEN	1
1	368355-2	JPT 2P HSG FOR CLIP	PBT 30% GF	BLUE	1
1	368355-1	JPT 2P HSG FOR CLIP	PBT 30% GF	BLACK	1

QTY	DESCRIPTION
1	JPT 2P ASS'Y FOR CLIP
1	JPT 2P ASS'Y FOR CLIP
1	JPT 2P ASS'Y FOR CLIP
1	JPT 2P ASS'Y FOR CLIP
1	JPT 2P ASS'Y FOR CLIP

THIS DRAWING IS A CONTROLLED DOCUMENT FOR AMP INCORPORATED. IT IS SUBJECT TO CHANGE AND THE CONTROLLING ENGINEERING ORGANIZATION SHOULD BE CONTACTED FOR THE LATEST REVISION.		DWN : YD LEE				AMP KOREA. kyungsan, korea	
DIMENSIONS: MM		CHK : BM JANG				NAME	
TOLERANCES UNLESS OTHERWISE SPECIFIED: 0<XX<10 ± 0.2 10<XX<30 ± 0.25 30<XX<100 ± 0.3 ANGLES ± 3°		APVD : CS LEE		PRODUCT SPEC		JPT 2P ASS'Y FOR CLIP	
3rd ANGLE PROJECTION		PRODUCT SPEC		APPLICATION SPEC		DRAWING NO	
MATERIAL		FINISH		WEIGHT		SIZE	
				4.90g		A3	
						CAGE CODE	
						00779	
						DRAWING NO	
						C= 3 6 8 3 5 4	
						SCALE	
						2/1	
						SHEET	
						1 OF 1	
						REV	
						C	