

4

3

2

1

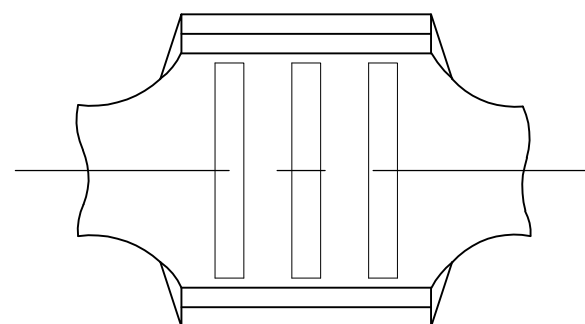
THIS DRAWING IS UNPUBLISHED.

RELEASED FOR PUBLICATION

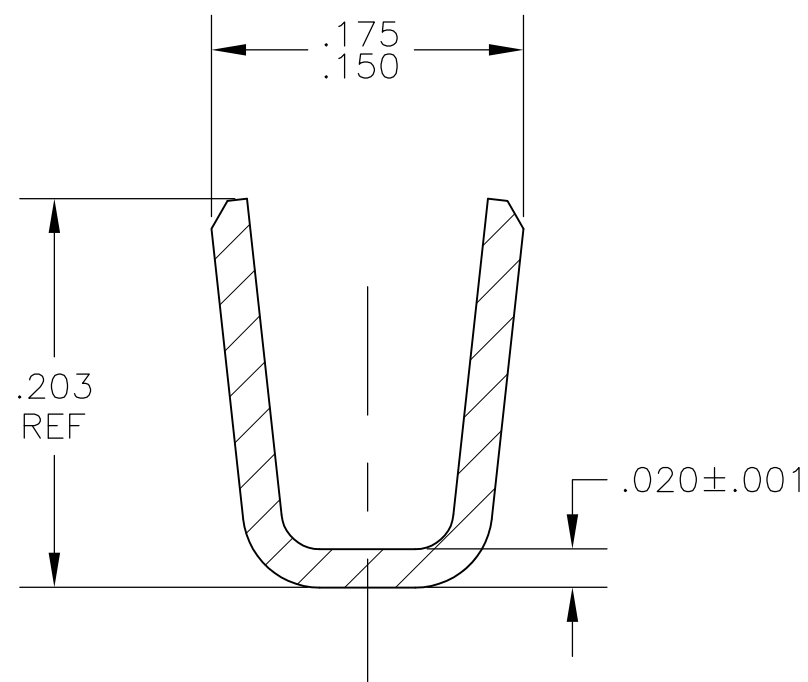
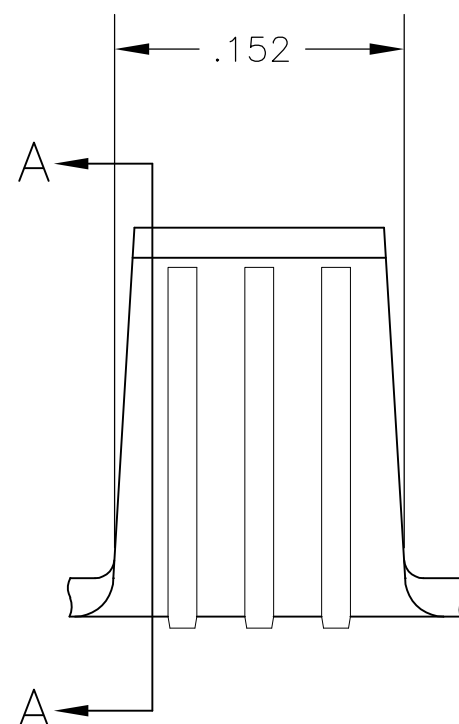
- . - .

© COPYRIGHT - BY TYCO ELECTRONICS CORPORATION. ALL RIGHTS RESERVED.

LOC	DIST	REVISIONS			
P	LTR	DESCRIPTION	DATE	DWN	APVD
	D	REVISED PER ECR-08-030838	30MAR09	HMR	GP



- 1 PRODUCT PROVIDED IN STRIP FORM ON REELS, BREAKS MAY BE PRESENT.
- 2 WIRE RANGE: 3300 TO 9000 CMA
- 3 CRIMP WIDTH: .140, "F" TYPE  
CRIMP HEIGHT  $(\pm .002) = (\text{TOTAL CMA} + 14,600) / 223,200$   
FOR APPLICATOR INFORMATION CALL: 1-800-722-1111  
FOR PRODUCT INFORMATION CALL: 1-800-522-6752



SECTION A-A

40552  
PART NO

THIS DRAWING IS A CONTROLLED DOCUMENT.		DWN RAGHAVENDRA 18JAN07	Tyco Electronics Corporation Harrisburg, Pa 17105-3608														
DIMENSIONS: INCHES		CHK G.D.PORTA 18JAN07	NAME														
TOLERANCES UNLESS OTHERWISE SPECIFIED:		APVD G.D.PORTA 18JAN07	SPLICE														
<table border="0"> <tr><td>0 PLC</td><td>± -</td></tr> <tr><td>1 PLC</td><td>± -</td></tr> <tr><td>2 PLC</td><td>± -</td></tr> <tr><td>3 PLC</td><td>± .010</td></tr> <tr><td>4 PLC</td><td>± -</td></tr> <tr><td>ANGLES</td><td>± -</td></tr> </table>		0 PLC	± -	1 PLC	± -	2 PLC	± -	3 PLC	± .010	4 PLC	± -	ANGLES	± -	PRODUCT SPEC -	RESTRICTED TO		
0 PLC	± -																
1 PLC	± -																
2 PLC	± -																
3 PLC	± .010																
4 PLC	± -																
ANGLES	± -																
MATERIAL BRASS		FINISH TIN	APPLICATION SPEC 114-2088	SIZE A3	CAGE CODE 00779												
			DRAWING NO C-40552	RESTRICTED TO -													
CUSTOMER DRAWING			SCALE 10:1	SHEET 1 OF 1	REV D												