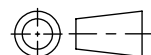
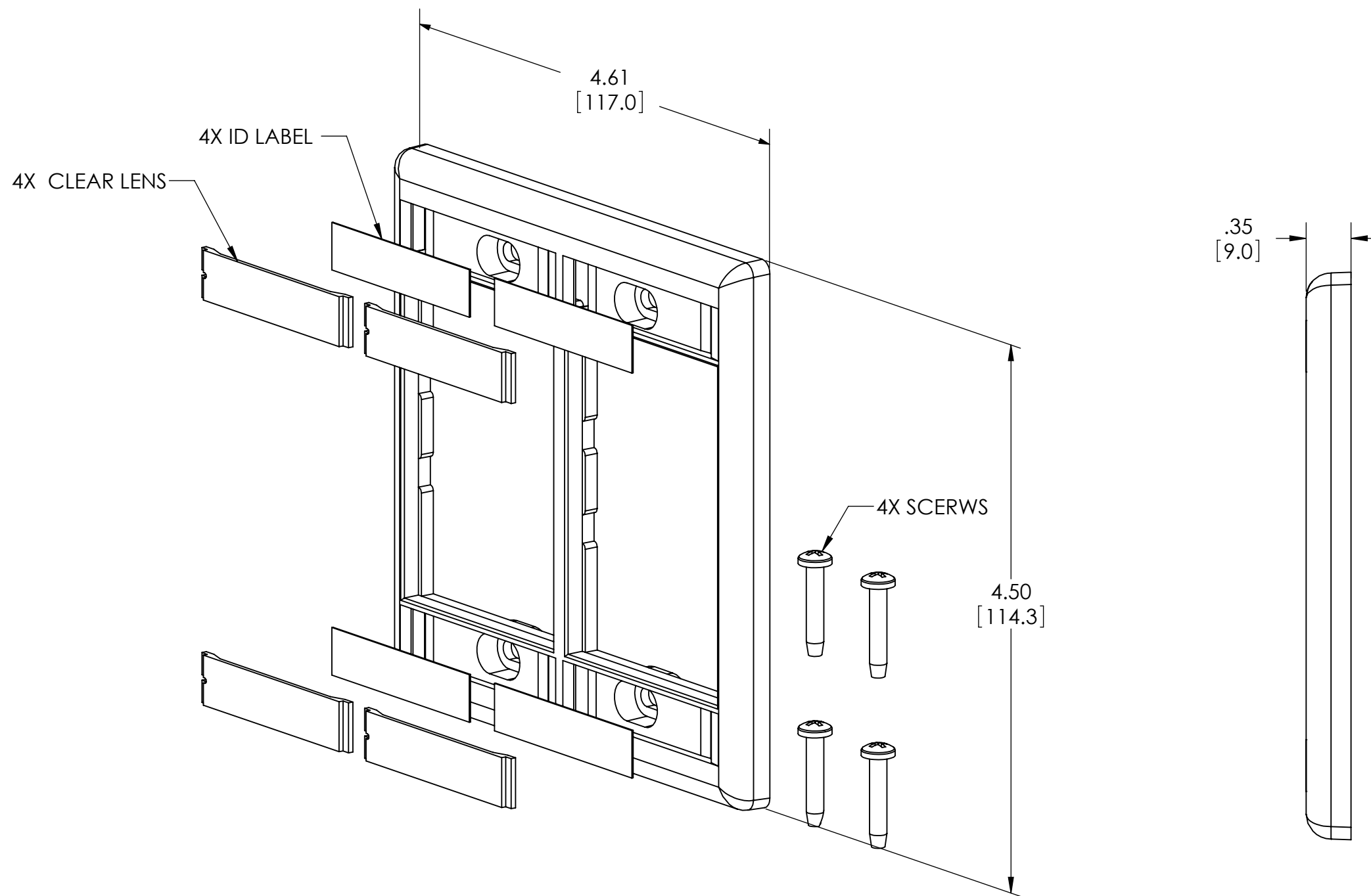


SW2009



Revision level		Revision Record	Changed	Date	Approved	Date
Drawing	Part					
00	-	SEE ECN# 011664	AAC	11/19/2010		



Notes

Material  
ASSEMBLED

Units inches  
Dimension without tolerances details to:  
.xxxx = ±.0005  
.xxx = ±.005  
.xx = ±.01  
.x = ±.03  
None = ±.06  
∠ = ±0.5°

The copyright of this drawing is reserved by HellermannTyton. It is issued on condition that it is not reproduced, copied, or disclosed to a third party, either wholly or in part, without the consent of HellermannTyton.

Drawn AAC 11/15/2010  
Approved  
**HellermannTyton**  
North America  
Email: corp@htamericas.com  
Web: www.hellermann.tyton.com

Article/Type-No FPMDG  
Title FPMDG DUAL GANG MODULAR FACEPLATE  
Drawing-No **MI10-0943-016CST**  
Production : Phase

Scale 1:1  
Project Number PRP10-0943  
Format B  
Sheet 1/1