

TERMINAL PART NO	TERMINALS PER REEL(SPO)
173041-0001	6000
173041-0002	6000
173042-0001	6000
173042-0002	6000

FOR INTERNAL REFERENCE ONLY

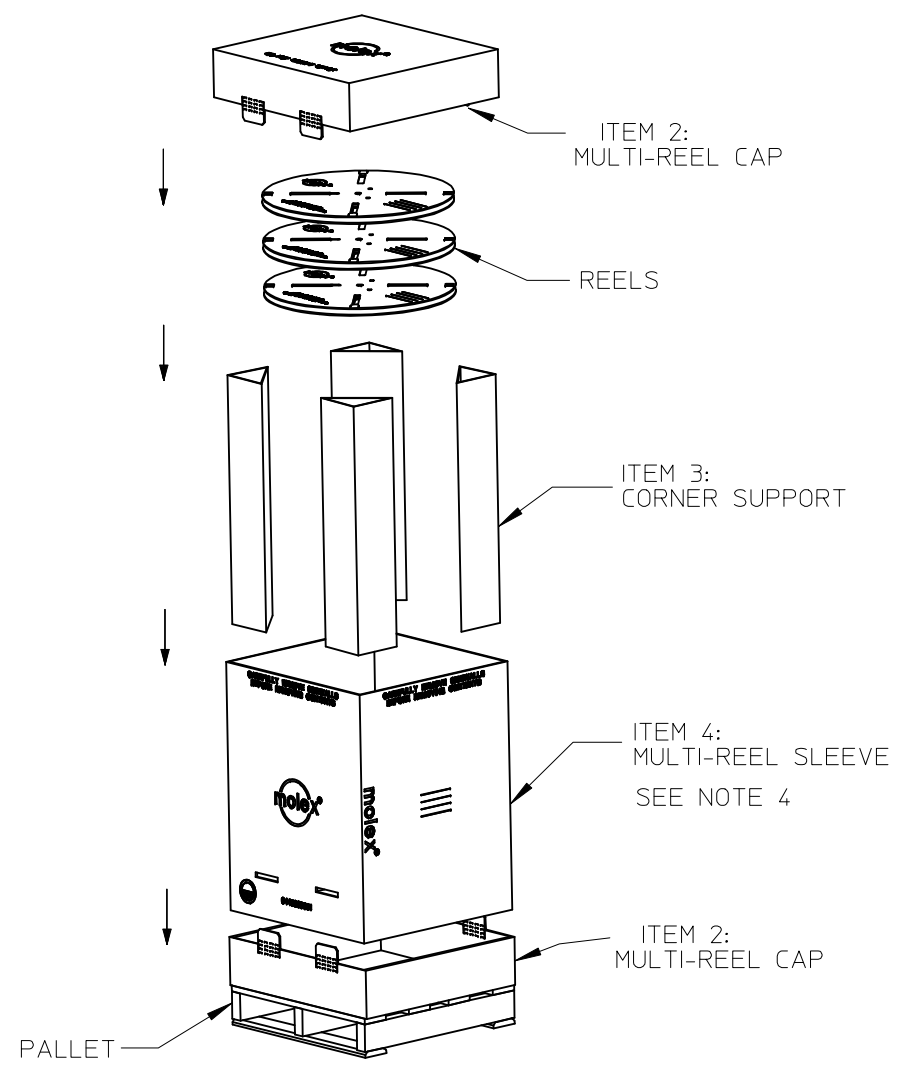
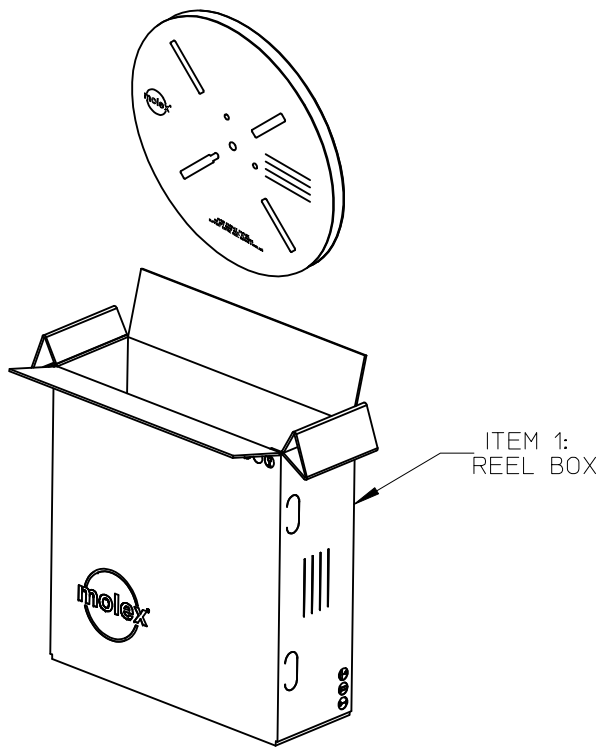
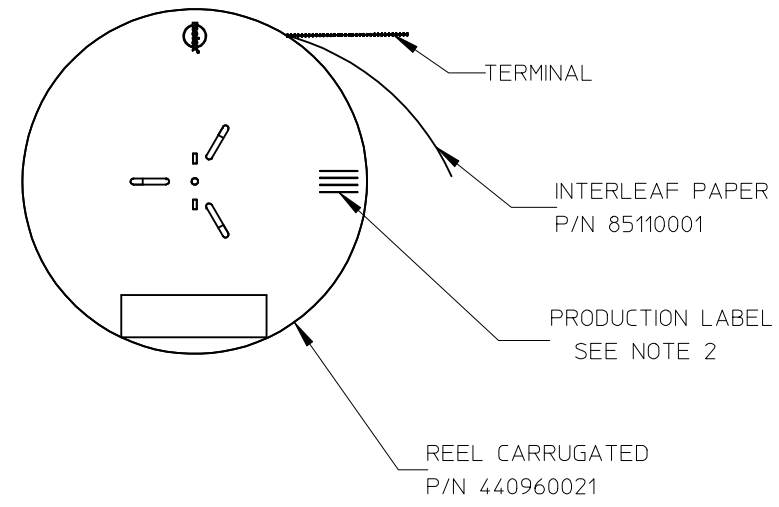
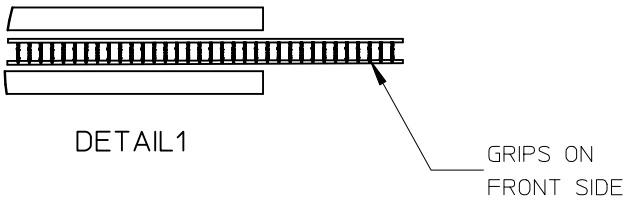
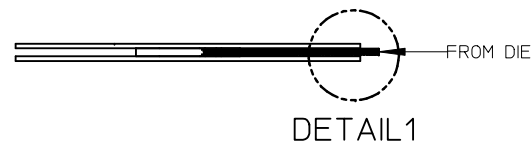
REEL COMPONENT	MATERIAL NUMBER (SEE NOTE 4)	QUANTITY
REEL CORE	30907-6481	1
REEL FLANGE	085065024	2
INTERLEAF PAPER	0865110001	SEE NOTE 1

24" REEL FLANGE
1.06" WIDTH REEL CORE (SEE NOTE 3)
1.00" WIDTH & 0.006" THICKNESS INTERLEAF PAPER (SEE NOTE 1)

REEL ASSEMBLY

FOR INTERNAL REFERENCE ONLY

REELS PER CARTON	ITEM NUMBER	PACKAGING COMPONENT	QUANTITY	PACKAGING MATERIAL NUMBER (SEE NOTE 4)
6	1	6 REELS PER CARTON	1	313012320
4		4 REELS PER CARTON	1	085020010
3		3 REELS PER CARTON	1	085020003
22	2	MULTI-REEL CAP	2	440960003
	3	CORNER SUPPORT	4	440960002
	4	MULTI-REEL CARTON SLEEVE	1	440960001



FULL-CYLINDER ASSY 440961000

- NOTES:
1. INTERLEAF PAPER TO BE USED THROUGHOUT THE ENTIRE REEL. (REF ES-40000-7005)
 2. PRODUCT LABEL AND SHIPPING LABEL TO BE ATTACHED AT THESE APPROXIMATE LOCATIONS. (REF ES-40000-7012)
 3. REEL CORE IS CUT TO LENGTH AS INDICATED.
 4. REELS MAY BE SHIPPED IN CARTON BOX, SLEEVE ASSEMBLY OR INDIVIDUAL REEL BOXES DEPENDING ON THE QUANTITY OF THE WORK ORDER.

DRAWING UPDATED EC NO: UCP2015-4524 DRWN:SS06 2015/05/15 CHKD: APPR:RHODGE 2015/06/23	DESCRIPTION REV	QUALITY SYMBOLS	GENERAL TOLERANCES (UNLESS SPECIFIED)		DIMENSION STYLE MM ONLY		SCALE NTS	DESIGN UNITS METRIC	THIRD ANGLE PROJECTION																																
		$\nabla_A = 0$ $\nabla_C = 0$ $\nabla_P = 0$	<table border="1"> <tr> <th></th> <th>mm</th> <th>INCH</th> </tr> <tr> <td>4 PLACES</td> <td>± ---</td> <td>± ---</td> </tr> <tr> <td>3 PLACES</td> <td>± ---</td> <td>± ---</td> </tr> <tr> <td>2 PLACES</td> <td>± 0.13</td> <td>± ---</td> </tr> <tr> <td>1 PLACE</td> <td>± 0.25</td> <td>± ---</td> </tr> <tr> <td>0 PLACE</td> <td>± ---</td> <td>± ---</td> </tr> </table>		mm	INCH	4 PLACES	± ---	± ---	3 PLACES	± ---	± ---	2 PLACES	± 0.13	± ---	1 PLACE	± 0.25	± ---	0 PLACE	± ---	± ---	<table border="1"> <tr> <td colspan="2">DRAWN BY</td> <td>DATE</td> </tr> <tr> <td colspan="2">SS06</td> <td>2015/04/10</td> </tr> <tr> <td colspan="2">CHECKED BY</td> <td>DATE</td> </tr> <tr> <td colspan="2">APPROVED BY</td> <td>DATE</td> </tr> <tr> <td colspan="2">RHODGE</td> <td>2015/04/21</td> </tr> </table>	DRAWN BY		DATE	SS06		2015/04/10	CHECKED BY		DATE	APPROVED BY		DATE	RHODGE		2015/04/21	TITLE		DOCUMENT NO.	
	mm	INCH																																							
4 PLACES	± ---	± ---																																							
3 PLACES	± ---	± ---																																							
2 PLACES	± 0.13	± ---																																							
1 PLACE	± 0.25	± ---																																							
0 PLACE	± ---	± ---																																							
DRAWN BY		DATE																																							
SS06		2015/04/10																																							
CHECKED BY		DATE																																							
APPROVED BY		DATE																																							
RHODGE		2015/04/21																																							
DRAFT WHERE APPLICABLE MUST REMAIN WITHIN DIMENSIONS			ANGULAR ±1/2° SEE TABLE-1		PACKAGING DRAWING VALUSEAL TERMINALS SERIES 173041 & 173042 molex		PK-173041-0001		1 OF 1																																
			THIS DRAWING CONTAINS INFORMATION THAT IS PROPRIETARY TO MOLEX INCORPORATED AND SHOULD NOT BE USED WITHOUT WRITTEN PERMISSION																																						