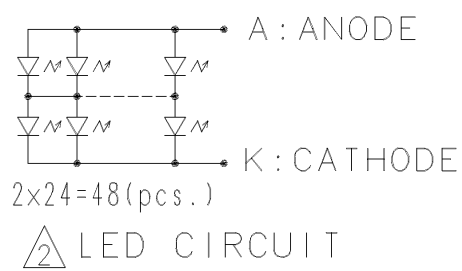
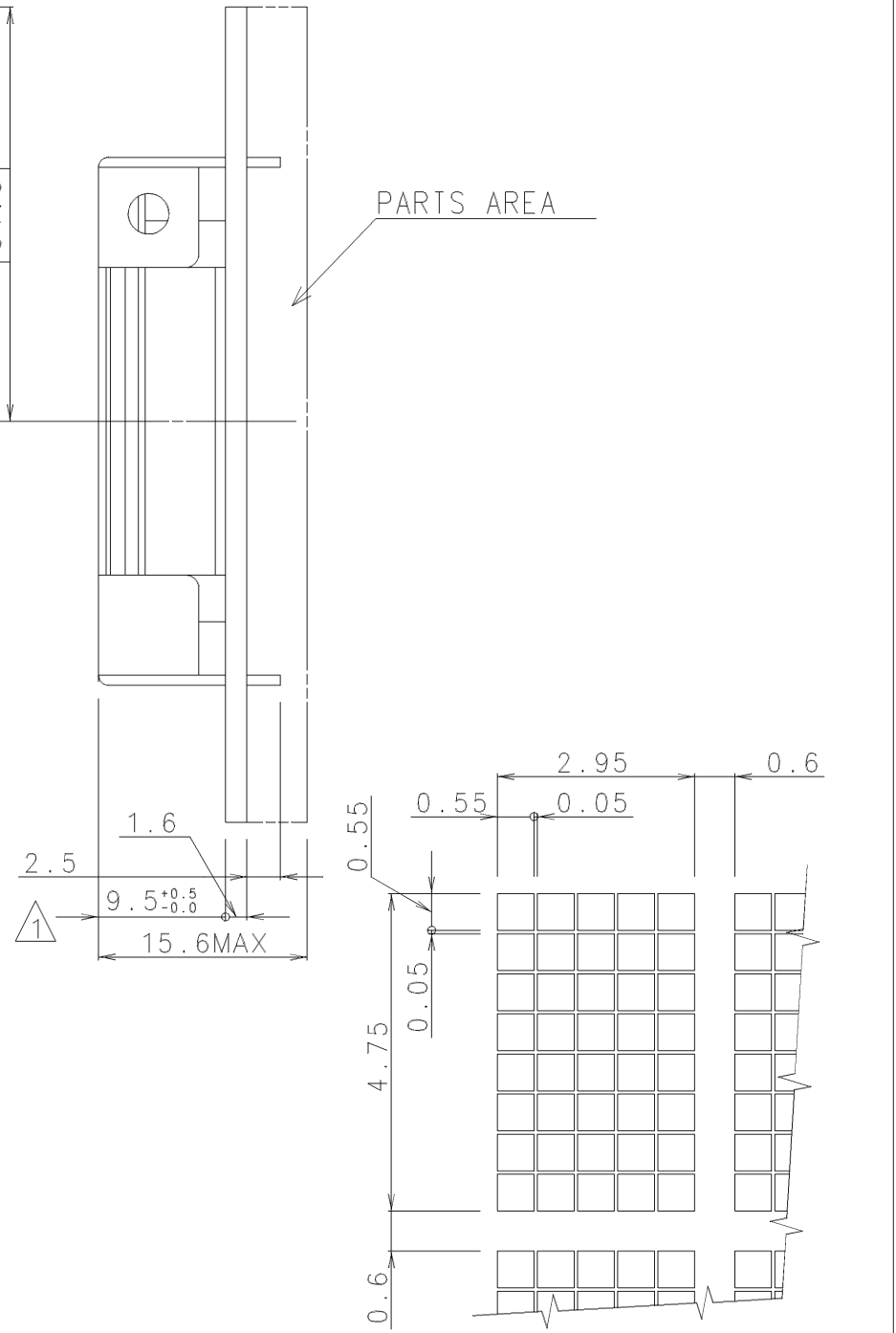
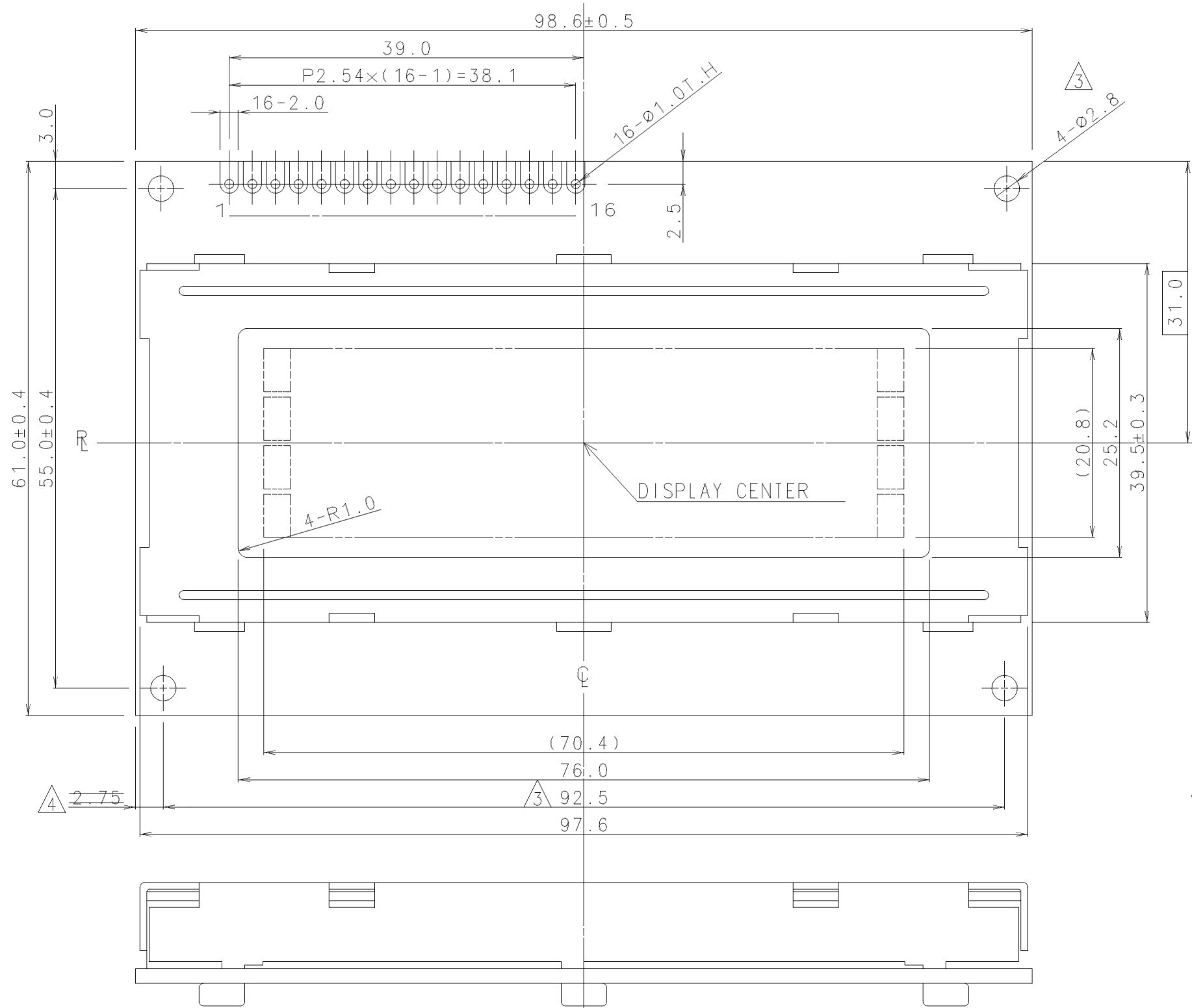




ISSUE	REVISIONS	DRAWN	APPROVED	DATE
1	CORRECTION	H.MIYANO	S.KUWABARA	DEC.12'96
2	CORRECTION	K.T	S.KUWABARA	FEB.03'93
3	CHANGE OF HOLE DIAMETER AND POSITION	S.MATSUOKA	S.KUWABARA	AUG.26'93
4	CORRECTION OF NOTATION	K.MURAKAMI	S.KUWABARA	JUL.20'94



PIN ASSIGNMENT

NO.	SYMBOL	NO.	SYMBOL
1	VSS	9	DB0
2	VCC	10	DB0
3	VEE	11	DB0
4	RS	12	DB0
5	R/W	13	DB0
6	E	14	DB0
7	DB0	15	LED: ANODE
8	DB0	16	LED: CATHODE

MEASURE	TOLERANCE			THIRD ANGLE PROJECTION	DATE FEB.01'99	UNIT mm	SCALE 2:1	OPTREX CORPORATION	
	A	B	C					TITLE	CODE
L≤16	±0.1	±0.3	±1		APPROVED S.Kuwabara			DIMENSIONAL OUTLINE	
16<L≤63	±0.2	±0.5	±1.5		CHECKED T.Sawada			DMC 20481(LED BACK LIGHT)	
63<L≤250	±0.3	±0.8	±2		DRAWN H.MIYANO			DWG NO	UE-31010D
250<L≤500	±0.5	±1.2	±3						
500<L	±0.8	±2	±4						
ANGLE	±1°	±5°	±10°						