

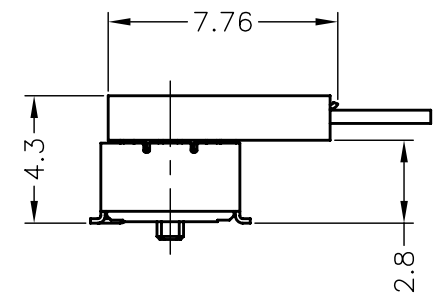
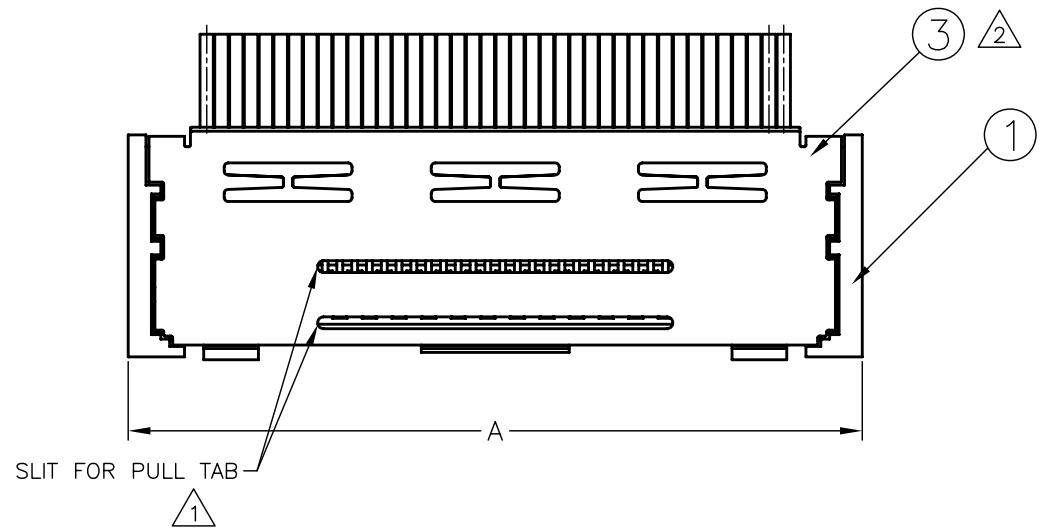
THIS DRAWING IS UNPUBLISHED. RELEASED FOR PUBLICATION
 © COPYRIGHT BY TYCO ELECTRONICS CORPORATION. ALL RIGHTS RESERVED.

LOC		DIST		REVISIONS			
DW		P	LTR	DESCRIPTION	DATE	DWN	APVD
		C		REVISED (ECR-09-025170)	17NOV'09	P.H	H.K

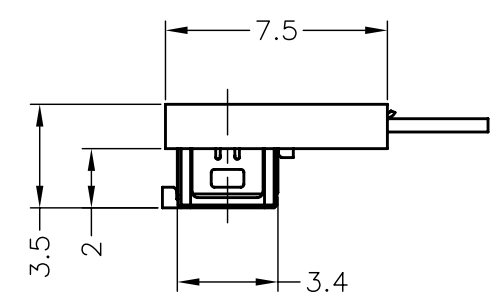
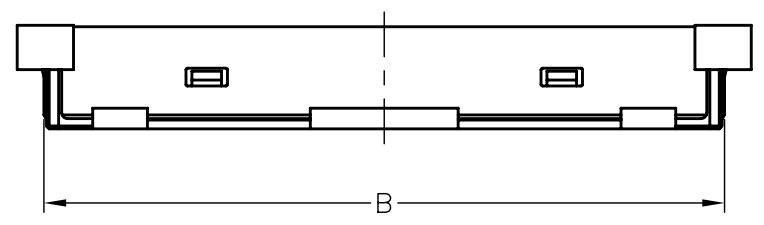
2023314-1, -2, -3, -4 : AS SHOWN

NOTES:
 ① CABLE, PULL TAB, GROUND BAR ARE NOT INCLUDED IN PLUG ASS'Y
 ② UPPER SHELL, LOWER SHELL, PURCHASED SEPARATELY

1.055gram	0.845gram	0.635gram	0.425gram	W/O SHELL	WEIGHT
0.45gram	0.37gram	0.29gram	0.21gram	WITH SHELL	
2023366-1	2023318-1	2023352-1	2023320-1	LOWER SHELL	
2023365-1	2023317-1	2023351-1	2023319-1	UPPER SHELL	
2023314-4 (50POS)	2023314-3 (40POS)	2023314-2 (30 POS)	2023314-1 (20 POS)	PLUG ASSY	
PART NUMBER				NAME	

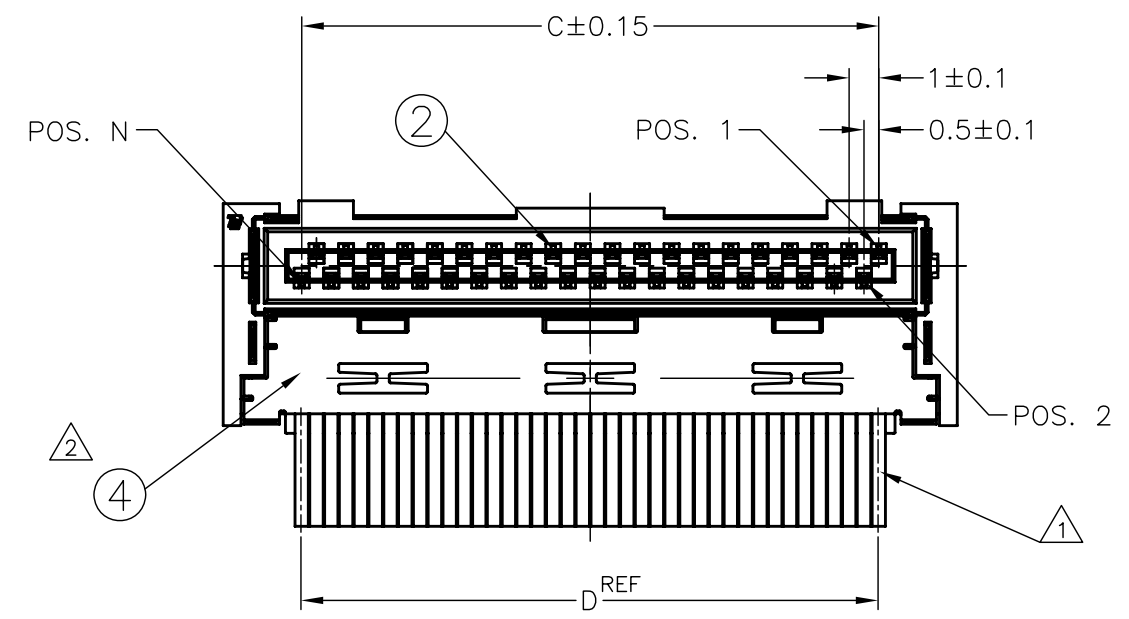


MATING CONDITION



DIMENSION OF EACH SYMBOL

P/N	POS	A	B	C
2023314-1	20	14.8	13	9.5
2023314-2	30	19.8	18	14.5
2023314-3	40	24.8	23	19.5
2023314-4	50	29.8	28	24.5



④	LOWER SHELL	COPPER ALLOY	NICKEL 0.0013 MM MIN. UNDER PLATING
③	UPPER SHELL	COPPER ALLOY	TIN PLATING 0.002MM MIN. ALL OVER
②	CONTACT	COPPER ALLOY	NICKEL 0.00127mm MIN. ALL OVER AU 0.000025~0.00008mm MIN. AT TINE AU 0.0002~0.0005mm AT CONTACT AREA
①	HOUSING	THERMOPLASTIC (UL94 V-0)	BLACK
ITEM	NAME	MATERIAL	FINISH/COLOR

THIS DRAWING IS A CONTROLLED DOCUMENT.

DWN	N.SOONG	04NOV08	Tyco Electronics Corporation Taipei, Taiwan
CHK	C.WAYDE	04NOV08	
APVD	H.KODAMA	04NOV08	
PRODUCT SPEC			
APPLICATION SPEC			NAME
WEIGHT			LCD COAXIAL EMBEDDED DISPLAY INTERFACE (LCEDI) SR SERIES PLUG ASSY
CUSTOMER DRAWING			SIZE
			CAGE CODE
			DRAWING NO
			RESTRICTED TO
			A3 00779 C-2023314
SCALE			4:1
SHEET			1 of 4
REV			C

4

3

2

1

THIS DRAWING IS UNPUBLISHED.

RELEASED FOR PUBLICATION

© COPYRIGHT BY TYCO ELECTRONICS CORPORATION. ALL RIGHTS RESERVED.

LOC	DIST	REVISIONS			
P	LTR	DESCRIPTION	DATE	DWN	APVD
DW		SEE SHEET 1	-	-	-

2023314-1, -2, -3, -4 : AS SHOWN

(SOLDERING AREA)
1
DISCRETE CABLE
BONDING

DISCRETE CABLE SET POSITION
SCALE 5:1

(SOLDERING AREA)
1
LAMINATE TAPE
SGC CABLE
 0.55 ± 0.10
 -0.05

SGC CABLE SET POSITION
SCALE 5:1

$E_{-0.3}$
LAMINATE TAPE
INSULATOR
CUT LINE
CENTER CONDUCTOR
LAMINATE TAPE
 2.2 MAX.
 $4 \sim 8$
 $3 \sim 7$
 1.6 ± 0.2
 0.5 ± 0.1
 $D \pm 0.2$

RECOMMENDED DISCRETE CABLE DIMENSION

LAMINATE TAPE
 $E_{-0.3}$
0.8 MAX.
JACKET
OUTER CONDUCTOR
GROUND BAR
INSULATOR
SOLDER TINE
CUT LINE
CENTER CONDUCTOR
LAMINATE TAPE
 $6 \sim 10$
 0.5 MAX.
 $3 \sim 7$
 $1.7 - 0.2$
 3.2 ± 0.2
 0.5 ± 0.1
 $1 - 0.15$

RECOMMENDED SGC CABLE DIMENSION

DIMENSION OF EACH SYMBOL

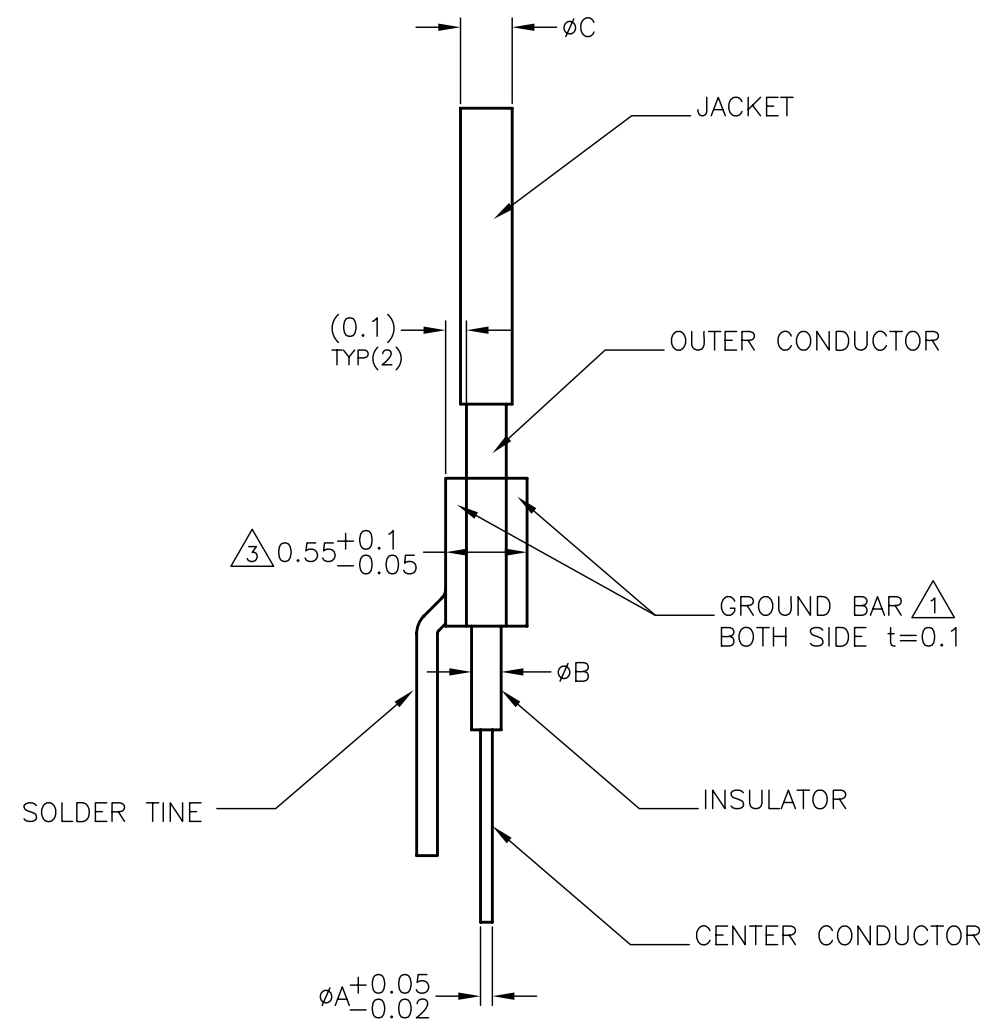
P/N	POS	D	E
2023314-1	20	9.5	10.7
2023314-2	30	14.5	15.7
2023314-3	40	19.5	20.7
2023314-4	50	24.5	25.7

THIS DRAWING IS A CONTROLLED DOCUMENT.		DWN	-	Tyco Electronics Corporation Taipei, Taiwan	
DIMENSIONS: mm		CHK	-	NAME LCD COAXIAL EMBEDDED DISPLAY INTERFACE (LCEDI) SR SERIES PLUG ASSY	
TOLERANCES UNLESS OTHERWISE SPECIFIED:		APVD	-	SIZE A3	
0 PLC ± 0.2		PRODUCT SPEC	-	CAGE CODE	00779
1 PLC ± 0.2		APPLICATION SPEC	-	DRAWING NO	C-2023314
2 PLC ± 0.2		WEIGHT	-	RESTRICTED TO	-
3 PLC ± 0.2		CUSTOMER DRAWING			
4 PLC ± 0.2		SCALE 10:1 SHEET 2 of 4 REV C			
ANGLES ± 2'					
MATERIAL					
FINISH					

AMP 1470-19 REV 31MAR2000

LOC	DIST	REVISIONS					
DW		P	LTR	DESCRIPTION	DATE	DWN	APVD
		-		SEE SHEET 1	-	-	-

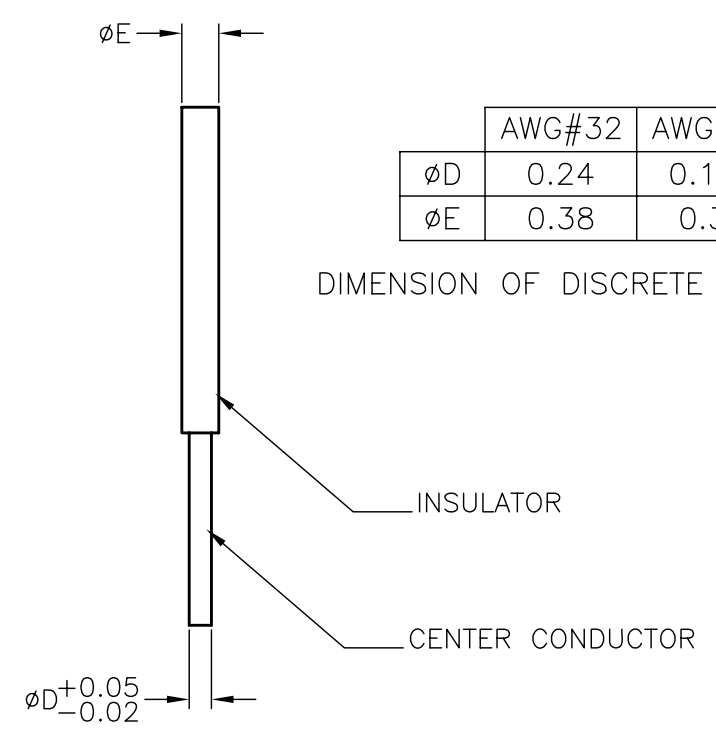
2023314-1, -2, -3, -4 : AS SHOWN



RECOMMENDED SGC CABLE DIMENSION

	AWG#32	AWG#34	AWG#36	AWG#40
∅A	0.24	0.192	0.15	0.09
∅B	0.36	0.33	0.3	0.21
∅C	0.46	0.43	0.4	0.33

DIMENSION OF SGC CABLE (UNIT: mm)



	AWG#32	AWG#34	AWG#36
∅D	0.24	0.192	0.15
∅E	0.38	0.32	0.25

DIMENSION OF DISCRETE CABLE (UNIT: mm)

RECOMMENDED DISCRETE CABLE DIMENSION

	CENTER CONDUCTOR DIA.	INSULATOR DIA.	JACKET DIA.
AWG#40	$\phi 0.09^{+0.05}_{-0.02}$	$\phi 0.21$	0.41X0.62

DIMENSION OF TWINCOAX CABLE (UNIT: mm)

NOTES:
 ③ TWINCOAX CABLE SHOULD BE FOLLOWED THIS DIMENSION AT GROUND BAR AREA

APPLICABLE CABLE SIZE	
SGC	AWG#32~#40
TWINCOAX	AWG#40
DISCRETE	AWG#32~#36

THIS DRAWING IS A CONTROLLED DOCUMENT.		DWN		Tyco Electronics		Tyco Electronics Corporation	
DIMENSIONS: mm		CHK		NAME		Taipi, Taiwan	
TOLERANCES UNLESS OTHERWISE SPECIFIED:		APVD		LCD COAXIAL EMBEDDED DISPLAY INTERFACE (LCEDI)			
0 PLC ± 0.2		PRODUCT SPEC		SR SERIES			
1 PLC ± 0.2		APPLICATION SPEC		PLUG ASSY			
2 PLC ± 0.2		WEIGHT		SIZE	CAGE CODE	DRAWING NO	RESTRICTED TO
3 PLC ± 0.2		CUSTOMER DRAWING		A3	00779	2023314	
4 PLC ± 0.2				SCALE		SHEET	
ANGLES ± 2'				20:1		3 of 4	
FINISH				REV		C	

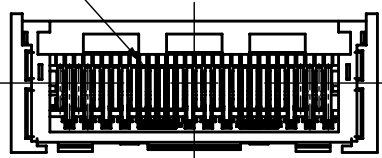
THIS DRAWING IS UNPUBLISHED. RELEASED FOR PUBLICATION
 © COPYRIGHT BY TYCO ELECTRONICS CORPORATION. ALL RIGHTS RESERVED.

LOC	DIST	REVISIONS			
P	LTR	DESCRIPTION	DATE	DWN	APVD
DW	/	SEE SHEET 1	-	-	-

- NOTE.
1. MATERIAL: TRAY: HIPS, COLOR: NATURAL, t=0.8
 2. CARTON DIMENSION: 504X364X192

P/N	POS	DIM F	DIM G	PCS/TRAY	TRAY/CARTON	TOTAL Q'TY
2023314-1	20	266	26.6	132	40	5280
2023314-2	30	268.2	29.8	120	40	4800
2023314-3	40	264	33	108	40	4320
2023314-4	50	253.4	36.2	96	40	3840

PLUG CONNECTOR

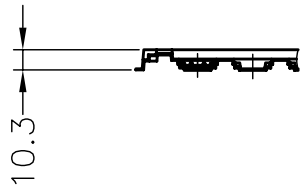
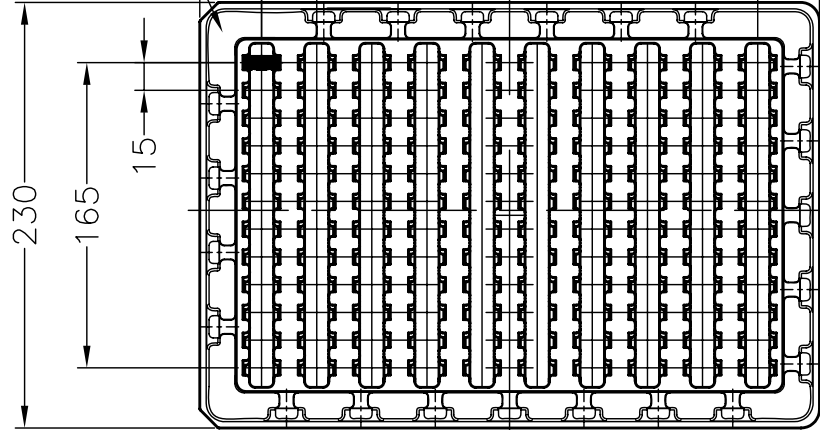


335

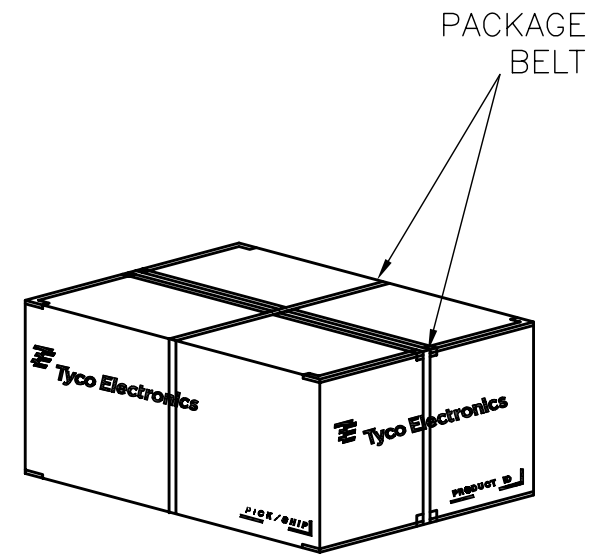
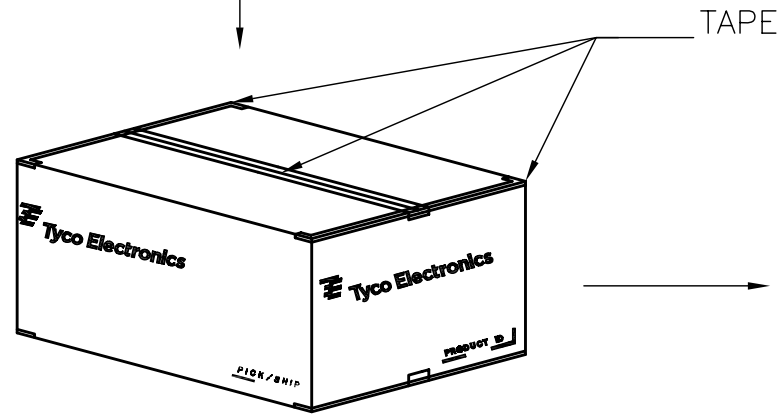
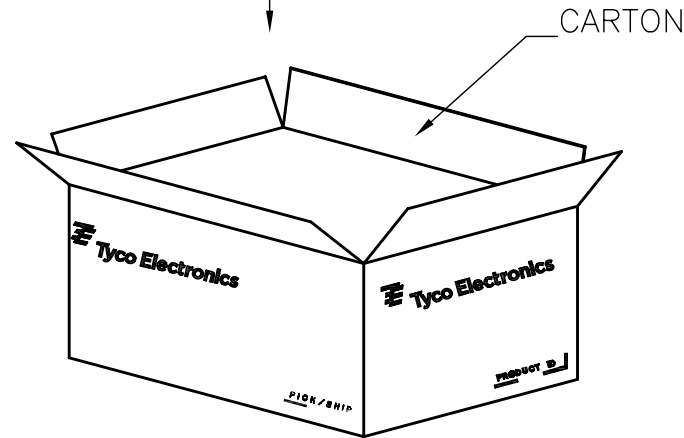
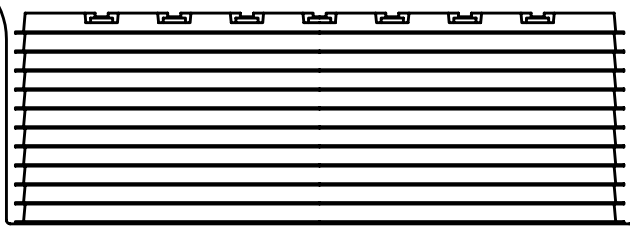
DIM F

DIM G

TRAY



AIR CAP



THIS DRAWING IS A CONTROLLED DOCUMENT.		DWN N.SOONG 04NOV08	Tyco Electronics Corporation Taipi, Taiwan	
DIMENSIONS: mm		CHK C.WAYDE 04NOV08	NAME LCD COAXIAL EMBEDDED DISPLAY INTERFACE (LCEDI) SR SERIES PLUG ASSY	
TOLERANCES UNLESS OTHERWISE SPECIFIED: 0 PLC ± - 1 PLC ± - 2 PLC ± - 3 PLC ± - 4 PLC ± - ANGLES ± -		APVD H.KODAMA 04NOV08	PRODUCT SPEC	
MATERIAL		APPLICATION SPEC		RESTRICTED TO
FINISH		WEIGHT		SCALE 1:1
		CUSTOMER DRAWING		SHEET 4 OF 4
		SIZE A3 CAGE CODE 00779 DRAWING NO. 2023314		REV C